

DENT

DESIGN HARDWARE



1-800-598-DENT
610-262-6701
Fax: 610-262-1870

298 Keystone Drive
Bethlehem, PA 18020
sales@dent-mfg.com

Welcome to Dent Design Hardware

Welcome to Dent Design Hardware

From the 19th to the 21st century, Dent Design Hardware has led the way.

We are an American company producing the finest refrigeration hinges, safety latches, and other industrial-grade hardware.

FOUNDING

Dent Design Hardware began in 1894 as Dent Hardware in Newark, N.J. The company was founded by Henry H. Dent and his partners, Mr. Kaiser and Mr. Newhard.



Henry H. Dent

Shortly after incorporation, the company relocated to Fullerton, Pennsylvania where Dent served as president of the company. Dent utilized his “keen discrimination and unflinching energy in the successful conduct of what has become one of the leading and most productive industries in the region,” according to the Encyclopedia of Pennsylvania.

EARLY YEARS

Through the 1920s, Dent Hardware served as the nation’s leading manufacturer of ice boxes, the precursor to the refrigerator. Now, decades later, Dent is the industry expert on refrigeration hinges and door latches, using sustainable business practices and continuing to employ American labor in Pennsylvania.



Early Billhead

DENT
DESIGN HARDWARE

1-800-598-DENT
www.dent-mfg.com

Fax: 610-262-1870
sales@dent-mfg.com

Welcome to Dent Design Hardware



Page from Early Dent Catalog

STEPPING OUT ALONE

In 1955 the Dent family sold its share of Dent Hardware to its partners in the Newhard family. Harry C. Dent, grandson of founder Henry H. Dent, went on to form his own company, Dent Manufacturing, Inc. in Northampton, Pennsylvania. Over the next decade, the business rapidly expanded its facilities to include 22,000 square feet of space.

EXPANDING THE BUSINESS

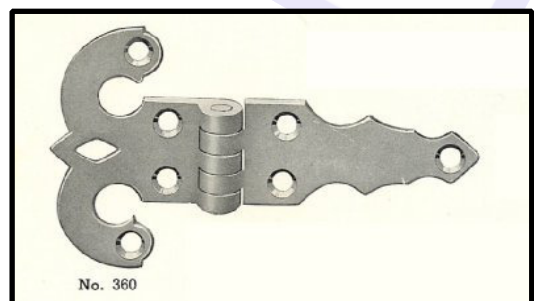
Douglas Dodge of Syracuse, NY joined Dent Manufacturing in 1972 in an engineering position. Dodge became general manager just a few years later. Looking to retire after a long and successful run with the business, Hal Dent, great-grandson of the founding Dent, sold Dent Manufacturing to the Dodge Family and a small portion of the company to several employee and supplier stockholders.

facturing to the Dodge Family and a small portion of the company to several employee and supplier stockholders.

LOOKING TO THE FUTURE AND HONORING THE PAST

Dent Manufacturing restructured in 2007 under the name Dent Design Hardware. In the spirit of family tradition, Dodge's son, Timothy Dodge, now manages the business. Dent remains a trusted name in refrigeration hardware and is a leader in the industry.

Despite our production of new, innovative and sustainable products, Dent still receives many requests for replicas of the classic vintage hardware featured in our 1911 and 1948 catalogs. We are proud to produce durable and timeless classics.



Antique Replica Refrigerator Hinge

WHY BUY DENT?

Dent Design Hardware manufactures quality made products in the United States using affordable, environmentally-sound practices. Our intent is to meet and exceed the durability required while using the lightest, most modern alloys available. In this day and age of increasing transportation costs, as well as lighter and lighter box and door construction, we feel hardware should similarly reflect this industry trend while maintaining and increasing the durability, robustness, and longevity of our product. We design towards minimal hardware weights through superior alloys, while keeping the entire life-cycle of our product in mind, from “cradle to grave.”

We provide a unique, sleek, stylized design immediately recognized in the industry as a “Dent.”

We also can provide customized designs for your distinct corporate brand.

QUALITY MATERIALS

Due to very serious environmental and health issues, Dent Design Hardware does not manufacture or sell Chrome-plated Zinc products. Instead we provide safer, more economical, and more efficient hardware alternatives for your needs.

Aerospace Aluminum

- 44,000 PSI tensile strength
- Used by the military for aircraft landing gear, rocket launchers, and tank armor
- Only 1/3 the weight of current “industry standard” Zinc hardware
- Lighter, easier refrigerator door movement
- Lightweight design reduces freight costs

Stainless Steel

- 90,000 PSI tensile strength
- Highest pharmaceutical grade 316 standard
- For extreme requirements
- More than 2 times stronger than non-ferrous alloy options

DURABILITY

All of our target alloys can be brought up to a decorative mirror polish without the requirement of Chrome plating—a process that is slowly being phased out of the industry for a variety of economic and environmental reasons. All of our alloys can be re-polished, often with only Scotchbrite® and some elbow-grease.

Extra corrosion-protection options:

- Anodizing for extreme salt water resistance and hardness on par with stainless steel
- Endurakote (Nylon powder coating): 6 years imperviousness to salt spray
- Antimicrobial coating: greater than 99% decrease in bacteria after 24 hours



1-800-598-DENT
www.dent-mfg.com

Fax: 610-262-1870
sales@dent-mfg.com

DID YOU KNOW?

- Chrome-plated Zinc hardware is produced with Hexavalent Chromium, a known carcinogen. The cancer-causing effects of this potential killer were roughly documented in the film “Erin Brockovich.”
- Workers who perform Chrome-plating are susceptible to respiratory and gastrointestinal illness, skin rashes, and asthma.
- Chrome-plated Zinc hardware weighs more than twice as much as aluminum hardware, which leads to more fuel usage and higher shipping costs.
- Chrome-plating also involves the use of dangerous cyanide.
- Many uses of Hexavalent Chromium are prohibited by the European Union.
- Harmful byproducts end up in the world’s oceans.

WHY ALUMINUM IS THE BETTER OPTION:

- Aluminum is recyclable, diminishing the need to harvest new resources and employing many American recyclers.
- Aluminum weighs just 40 percent the weight of Zinc, which means less fuel consumption and lower transportation costs for consumers.
- Aluminum hardware requires less energy to produce than chrome-plated Zinc products, keeping costs affordable.

WHAT YOU CAN DO ABOUT IT:

- Purchase Dent’s Aluminum hardware.
- Our products are manufactured by skilled American workers who work in a safe and healthy environment.
- Our products are lightweight, yet still hold up to the rigors of everyday use.

DENT MEANS QUALITY.

ORDERING INFORMATION

For your ordering convenience, the following information is provided:

Hinges Direction of Operation—to determine the proper direction of operation (right hand vs. left hand). When facing unit from the outside, right hand doors will have hinges mounted on the right, while left hand doors will have hinges mounted on the left.

Hinges requiring **RIGHT HAND** or **LEFT HAND** designation may be grouped for quantity price on purchase order. specify the exact quantity required of either the right or left hand swing.

Please specify the following for each item ordered:

(Please refer to product listing for which specifications are needed for each item.)

- 1. PRODUCT NUMBER ***
- 2. PRODUCT NAME ***
- 3. Offset** (example: flush, 1 1/8", ... 2")
- 4. Finish** (example: brushed, polished, etc.)
- 5. Right or left hand mounting**
- 6. Wall and/or door thickness**
- 7. With/without keyed cylinder lock**

* Required for all items

For minor offset variations, **SHIMS** are available for most of the hardware shown in this catalog.

Advise shipping instructions. **ALL STOCK ITEMS** are cataloged, however, delivery is subject to prior sale.

SAMPLES are furnished on request. Contract purchases may be negotiated.

DENT SPECIALIZES IN THE DEVELOPMENT OF ORIGINAL HARDWARE TO INDIVIDUAL CUSTOMER SPECIFICATIONS. Submit a sketch, drawing, or sample of your part, including estimated annual usage.

TERMS OF SALE

Terms of sale are as follows:

Net 30 days, subject to credit approval. FOB Dent Design Hardware (Orders are accepted only on these conditions; any modification of terms and/or conditions on customer purchase orders notwithstanding.)

Prices are subject to change without notice. In periods of gyrating metal markets, surcharges may be used.

All claims must be made upon receipt of goods.

Claims for damaged goods or missing cartons must be filed with the carrier within 5 working days of the projected delivery date.

No goods are to be returned without authorization. Returned goods are subject to a 25% restocking charge, plus charges for restoring hardware to saleable condition.

Cancellation of orders will not be accepted except on such terms as shall protect the company.

Orders are acknowledged with approximate shipping dates, which the company intends and endeavors to meet. The company will not be liable for delays in manufacturing or delivery.

The company reserves the right to modify specifications if improved materials become available, or better methods of production are devised. At all times, we will endeavor to advise customer of changes prior to processing the order.

Clerical or typographical errors on acknowledgements are subject to corrections.

Taxes or other government charges on production, sales, and/or shipments of goods sold, now imposed, or hereafter becoming effective, shall be paid by the purchaser.

CONTENTS

This catalog uses a simple color coded guide along the pages outer edge.

HINGES

HANDLES & MAGNETIC DOOR HARDWARE

PULL HANDLES

LATCHES

TRAPS, VENTILATORS & MISC.

Never hesitate to call us at Dent Design Hardware if you have any questions about our catalog or products.

Welcome to Dent Design Hardware

DENT
DESIGN HARDWARE

1-800-598-DENT
www.dent-mfg.com

Fax: 610-262-1870
sales@dent-mfg.com

HINGE SELECTOR CHART

Instructions on reading the chart:

Start with door weight (far left side of chart).

Find door width, in inches, at the bottom of the chart.

Cross column and row -- this provides a recommended category of hinge (pair) that will support the door.

	POUNDS																				
	12	15	18	21	24	27	30	33	36	39	42	45	48	51	54	57	60	63	66	69	72
500	W-1	W-1	W-2	W-3	W-3	W-3	W-4	W-4	W-4	W-4	W-5	W-5	W-5	W-5	W-5	W-5	W-5	W-6	W-6	W-6	W-6
480	W-1	W-1	W-2	W-3	W-3	W-3	W-4	W-4	W-4	W-4	W-5	W-5	W-5	W-5	W-5	W-5	W-5	W-6	W-6	W-6	W-6
460	W-1	W-1	W-2	W-3	W-3	W-3	W-4	W-4	W-4	W-4	W-5	W-5	W-5	W-5	W-5	W-5	W-5	W-6	W-6	W-6	W-6
440	W-1	W-1	W-1	W-2	W-3	W-3	W-4	W-4	W-4	W-4	W-4	W-4	W-4	W-4	W-4	W-4	W-4	W-4	W-4	W-4	W-4
420	W-1	W-1	W-1	W-2	W-3	W-3	W-4	W-4	W-4	W-4	W-4	W-4	W-4	W-4	W-4	W-4	W-4	W-4	W-4	W-4	W-4
400	W-1	W-1	W-1	W-2	W-3	W-3	W-3	W-3	W-3	W-3	W-3	W-3	W-3	W-3	W-3	W-3	W-3	W-3	W-3	W-3	W-3
380	W-1	W-1	W-1	W-2	W-3	W-3	W-3	W-3	W-3	W-3	W-3	W-3	W-3	W-3	W-3	W-3	W-3	W-3	W-3	W-3	W-3
360	W-1	W-1	W-1	W-2	W-2	W-2	W-3	W-3	W-3	W-3	W-3	W-3	W-3	W-3	W-3	W-3	W-3	W-3	W-3	W-3	W-3
340	W-1	W-1	W-1	W-2	W-2	W-2	W-3	W-3	W-3	W-3	W-3	W-3	W-3	W-3	W-3	W-3	W-3	W-3	W-3	W-3	W-3
320	R-3	W-1	W-1	W-1	W-2	W-2	W-2	W-2	W-2	W-2	W-2	W-2	W-2	W-2	W-2	W-2	W-2	W-2	W-2	W-2	W-2
300	R-3	W-1	W-1	W-1	W-1	W-1	W-1	W-1	W-1	W-1	W-1	W-1	W-1	W-1	W-1	W-1	W-1	W-1	W-1	W-1	W-1
280	R-3	W-1	W-1	W-1	W-1	W-1	W-1	W-1	W-1	W-1	W-1	W-1	W-1	W-1	W-1	W-1	W-1	W-1	W-1	W-1	W-1
260	R-3	R-3	W-1	W-1	W-1	W-1	W-1	W-1	W-1	W-1	W-1	W-1	W-1	W-1	W-1	W-1	W-1	W-1	W-1	W-1	W-1
240	R-3	R-3	W-1	W-1	W-1	W-1	W-1	W-1	W-1	W-1	W-1	W-1	W-1	W-1	W-1	W-1	W-1	W-1	W-1	W-1	W-1
220	R-3	R-3	W-1	W-1	W-1	W-1	W-1	W-1	W-1	W-1	W-1	W-1	W-1	W-1	W-1	W-1	W-1	W-1	W-1	W-1	W-1
200	R-2	R-3	R-3	W-1	W-1	W-1	W-1	W-1	W-1	W-1	W-1	W-1	W-1	W-1	W-1	W-1	W-1	W-1	W-1	W-1	W-1
180	R-2	R-3	R-3	W-1	W-1	W-1	W-1	W-1	W-1	W-1	W-1	W-1	W-1	W-1	W-1	W-1	W-1	W-1	W-1	W-1	W-1
160	R-2	R-2	R-3	R-3	R-3	W-1	W-1	W-1	W-1	W-1	W-1	W-1	W-1	W-1	W-1	W-1	W-1	W-1	W-1	W-1	W-1
140	R-2	R-2	R-3	R-3	R-3	R-3	W-1	W-1	W-1	W-1	W-1	W-1	W-1	W-1	W-1	W-1	W-1	W-1	W-1	W-1	W-1
120	R-2	R-2	R-2	R-3	R-3	R-3	R-3	R-3	R-3	R-3	R-3	R-3	R-3	R-3	R-3	R-3	R-3	R-3	R-3	R-3	R-3
100	R-1	R-2	R-2	R-2	R-2	R-2	R-2	R-2	R-2	R-2	R-2	R-2	R-2	R-2	R-2	R-2	R-2	R-2	R-2	R-2	R-2
80	R-1	R-1	R-2	R-2	R-2	R-2	R-2	R-2	R-2	R-2	R-2	R-2	R-2	R-2	R-2	R-2	R-2	R-2	R-2	R-2	R-2
60	R-1	R-1	R-1	R-1	R-1	R-1	R-1	R-1	R-1	R-1	R-1	R-1	R-1	R-1	R-1	R-1	R-1	R-1	R-1	R-1	R-1
40	R-1	R-1	R-1	R-1	R-1	R-1	R-1	R-1	R-1	R-1	R-1	R-1	R-1	R-1	R-1	R-1	R-1	R-1	R-1	R-1	R-1
20	R-1	R-1	R-1	R-1	R-1	R-1	R-1	R-1	R-1	R-1	R-1	R-1	R-1	R-1	R-1	R-1	R-1	R-1	R-1	R-1	R-1

INCHES

Alternatively, multiply door weight (in pounds) by Door Width (in inches) and find recommended hinges on chart below

Min	Max	Competitor Category
240	1380 R-1	A
1440	2400 R-2	B
2520	3960 R-3	C
4080	7980 W-1	D
8100	9900 W-2	E
10080	13800 W-3	F
13680	19800 W-4	G
20160	30000 W-5	H
30240	36000 W-6	J

Typically a Reach In Door
Typically a Reach In Door
Typically a Reach In Door
Typically a Walk In Door
Typically a Walk In Door
Typically a Walk In Door
Oversize Walk-in or special
Oversize Walk-in or special
Oversize Walk-in or special

D-4 series, D-34
D-61 series, D-69 series, D-690 series, D-88
D-2 series, D-45
D-21, D-69B
D-1-P, D-31, D-38, D-310
D-310 Stainless Steel, D-38 Stainless Steel
D-980

D-1-P 12" Heavy Duty Strap Hinge



HINGES

FEATURES

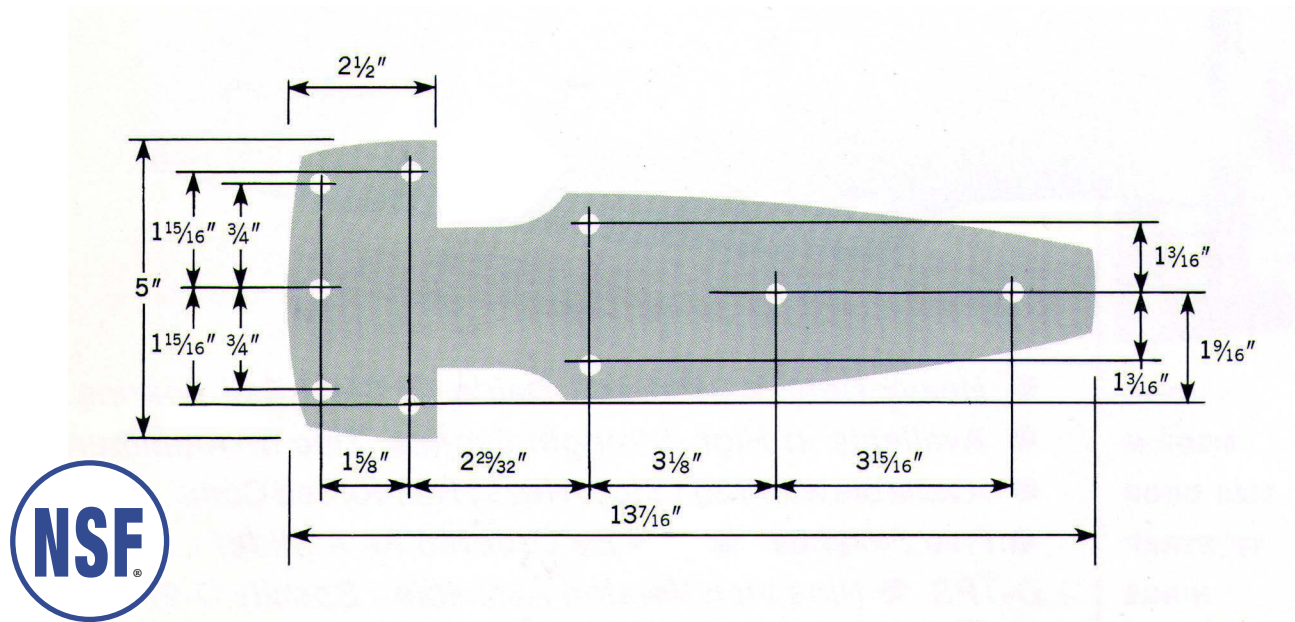
- 3/8" diameter #304 Stainless Steel pin
- FLUSH configurations are STAINLESS STEEL
- Hardened Steel ball bearing
- Heavy, reinforced Manganese Bronze construction
- Reversible for right or left hand by changing bearing
- Also available as a slider hinge
 - Same as D-1-P hinge without ball bearing
 - Specify as D-1-PS when ordering as a slider hinge

DENT
DESIGN HARDWARE

1-800-598-DENT
www.dent-mfg.com

Fax: 610-262-1870
sales@dent-mfg.com

D-1-P 12" Heavy Duty Strap Hinge



SPECIFICATIONS

Overall Length: 13-7/16"

Materials: Manganese Bronze
Aluminum
Stainless Steel

Finishes: Polished Chrome
Cast Aluminum
Endurakote Nylon
Mirror Polish
*Other finishes available

Offsets: Flush, 1-1/8", 1-1/4", 1-3/8"
*Other offsets available
*Base shims 1/8" thick available

Screw Holes: 1/4" Hole, 82° Countersunk

Shipping Weight: Bronze 7.0 lbs / pair

Hinge Load Capacity: Bronze 250 lbs / 1 pair for a 3' door

D-2PB 9" Heavy Duty Strap Hinge



HINGES

FEATURES

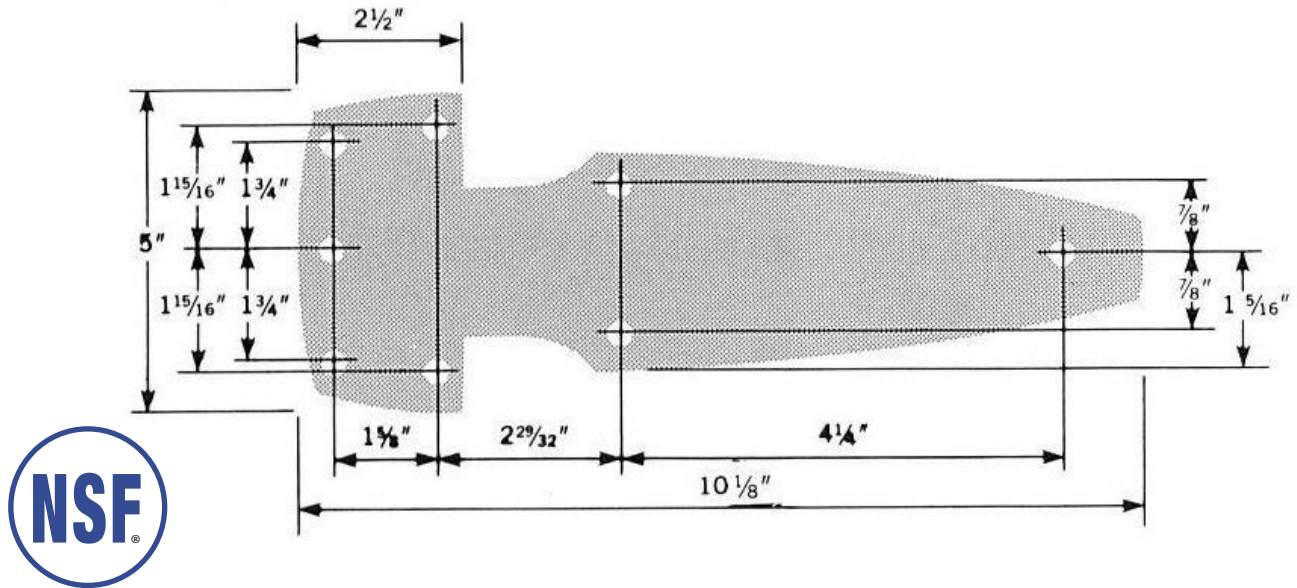
- 3/8" diameter #304 Stainless Steel pin
- Hardened Steel ball bearing
- Heavy, reinforced Manganese Bronze construction
- Reversible for right or left hand by changing bearing
- Also available as a slider hinge—specify D-2PBS Hinge
 - Same as D-2PB without ball bearing
 - Use in combination with D-21 9" cam-lift hinge
 - Permits 1/2" vertical floating action as door rises

DENT
DESIGN HARDWARE

1-800-598-DENT
www.dent-mfg.com

Fax: 610-262-1870
sales@dent-mfg.com

D-2PB 9" Heavy Duty Strap Hinge



SPECIFICATIONS

Overall Length: 10-1/8"

Material: Manganese Bronze

Finishes: Polished Chrome
*Other finishes available

Offsets: Flush, 1-1/8", 1-1/4", 1-3/8"
*Other offsets available upon request
*Base shims 1/8" thick available

Screw Holes: 1/4" Hole, 82° Countersunk

Shipping Weight: Bronze 5.5 lbs / pair

Hinge Load Capacity: Bronze 200 lbs / 1 pair for a 3' door

D-4 Small Door Reach-In Hinge



HINGES

FEATURES

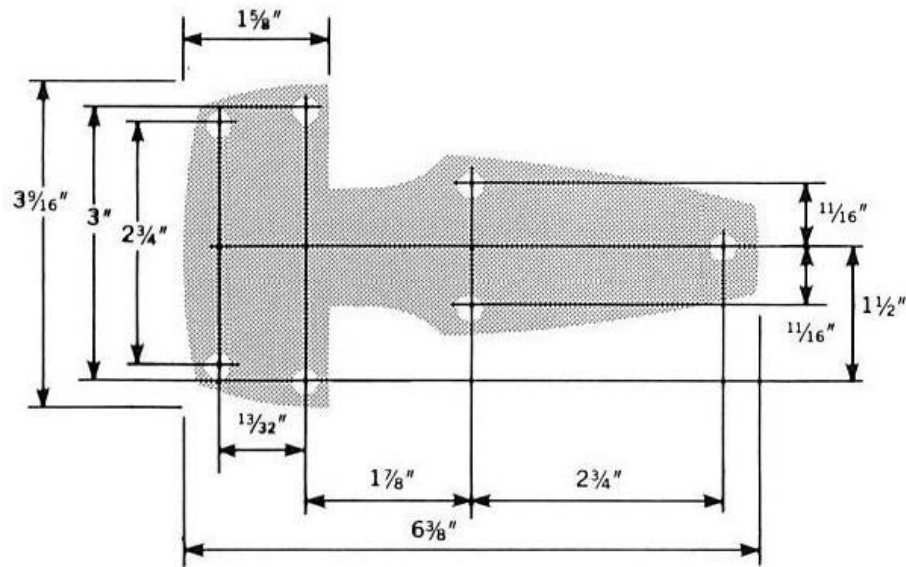
- 5/16" diameter Stainless Steel pin
- Derlin bearings
- Military applications
- Aluminum or Bronze construction
- Reliable, efficient small door hinge
- Reversible swing

DENT
DESIGN HARDWARE

1-800-598-DENT
www.dent-mfg.com

Fax: 610-262-1870
sales@dent-mfg.com

D-4 Small Door Reach-In Hinge



SPECIFICATIONS

Overall Length: 6-3/8"

Materials: Aluminum
Manganese Bronze

Finishes: Polished Aluminum
Polished Chrome
*Other finishes available

Offsets: 1-1/4"
*Other offsets available upon request

Screw Holes: Drilled and Countersunk No. 10 Screw

Shipping Weight: Bronze 2.3 lbs / pair

Hinge Load Capacity: Bronze 80 lbs / 1 pair for a 3' door

D-4A Small Door Reach-In Hinge



FEATURES

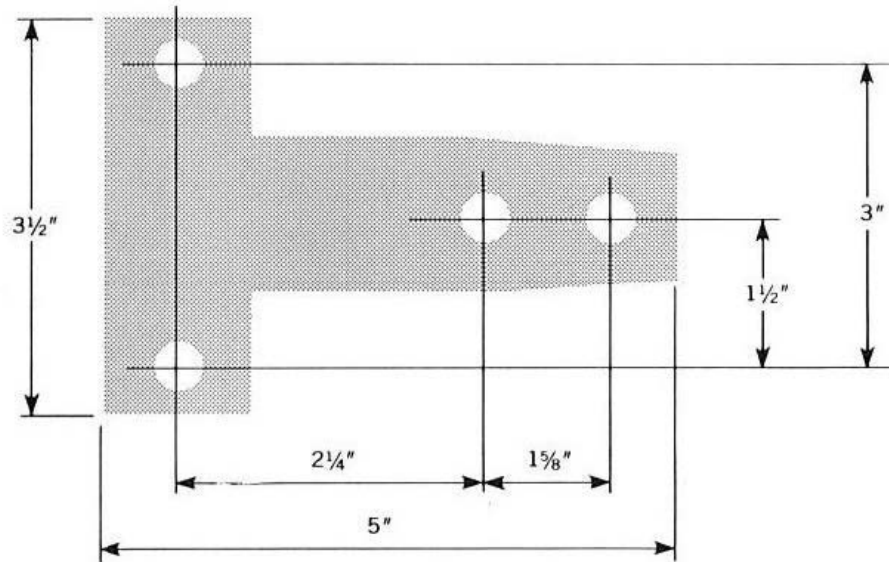
- Contemporary styling
- Reversible swing
- Long-life, wear-resistant Derlin bearings
- Reliable, efficient, and economical
- Versatile
- Narrow base for small service doors
- 5/16" diameter Stainless Steel pin
- Corrosion-resistant

DENT
DESIGN HARDWARE

1-800-598-DENT
www.dent-mfg.com

Fax: 610-262-1870
sales@dent-mfg.com

D-4A Small Door reach-In Hinge



SPECIFICATIONS

Overall Length: 5"

Material: Aluminum

Finishes: Polished Aluminum
Brushed Aluminum
*Other finishes available

Offsets: Flush
*Base shims, 3/8" thick available

Screw Holes: 1/4" Hole, 82° Countersunk

Shipping Weight: Aluminum 0.8 lbs / pair

Hinge Load Capacity: Aluminum 60 lbs / 1 pair for a 3' door

D-21 9" Heavy Duty Cam-Lift Hinge



FEATURES

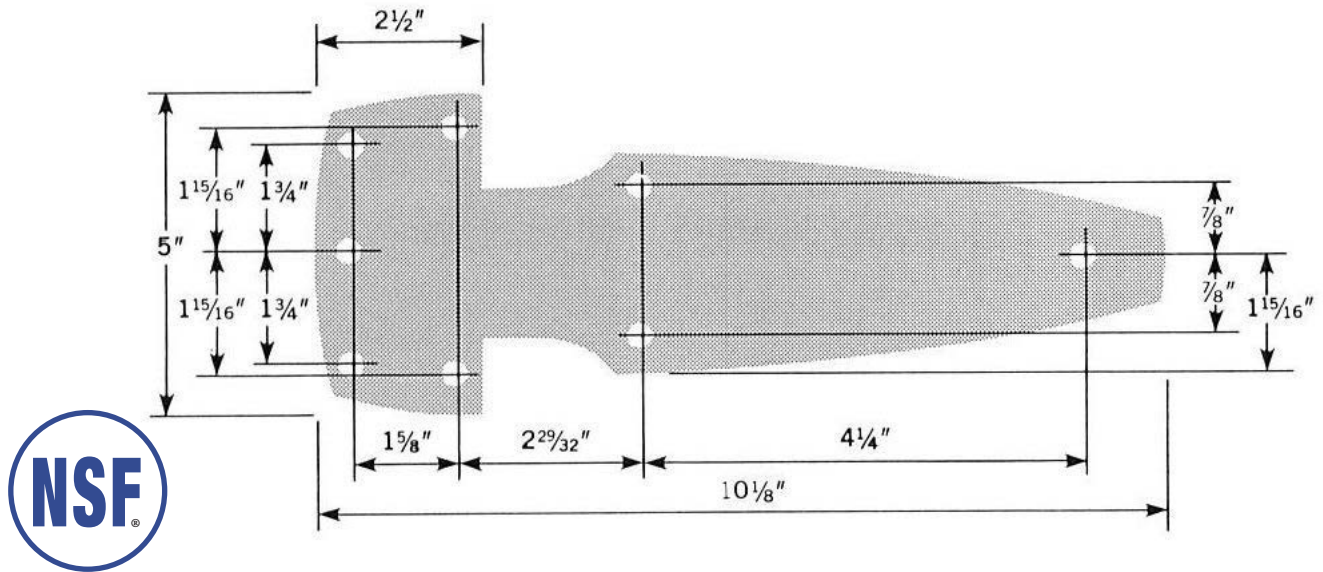
- Lifetime 3/4" diameter case hardened Steel cams
- 1/2" rise
- Heavy, reinforced Manganese Bronze construction
- Smooth, easy action
- Industry standard for exceptionally rugged installations

DENT
DESIGN HARDWARE

1-800-598-DENT
www.dent-mfg.com

Fax: 610-262-1870
sales@dent-mfg.com

D-21 9" Heavy Duty Cam-Lift Hinge



SPECIFICATIONS

Overall Length: 10-1/8"

Material: Manganese Bronze

Finishes: Polished Chrome
*Other finishes available

Offsets: Flush, 1-1/8", 1-1/4", 1-3/8"
*Base shims, 1/8" thick available

Screw Holes: 1/4" Hole, 82° Countersunk

Shipping Weight: Bronze 6.5 lbs / pair

Hinge Load Capacity: Bronze 200 lbs / 1 pair for a 3' door

D-31 12" Heavy Duty Cam-Lift Hinge



HINGES

FEATURES

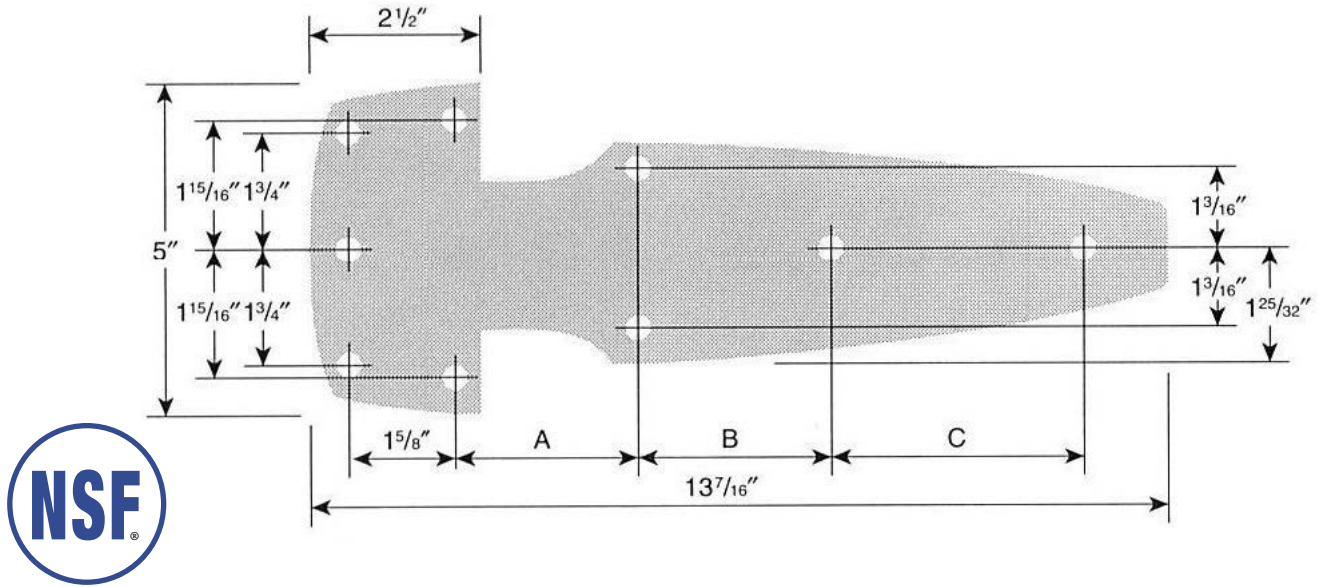
- Lifetime 3/4" diameter case hardened cams
- 1/2" rise
- Heavy, reinforced Manganese Bronze construction
- Smooth, easy action
- Industry standard for exceptionally rugged installations

DENT
DESIGN HARDWARE

1-800-598-DENT
www.dent-mfg.com

Fax: 610-262-1870
sales@dent-mfg.com

D-31 12" Heavy Duty Cam-Lift Hinge



SPECIFICATIONS

Overall Length: $13\text{-}7/16$ "

Material: Manganese Bronze

Finishes: Polished Chrome
*Other finishes available

Offsets: Flush, $1\text{-}1/8$ ", $1\text{-}1/4$ ", $1\text{-}3/8$ "
*Base shims, $1/8$ " thick available

Screw Holes: $1/4$ " Hole, 82° Countersunk

Shipping Weight: Bronze 8.0 lbs / pair

Hinge Load Capacity: Bronze 250 lbs / 1 pair

D-311 12" Heavy Duty Cam-Lift Hinge



HINGES

FEATURES

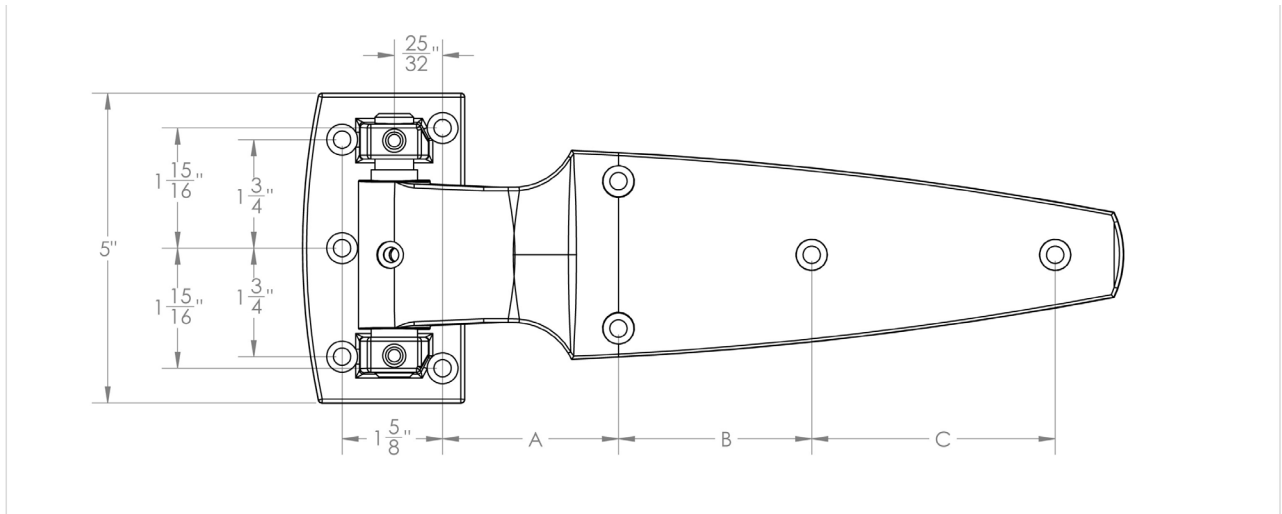
- Lifetime 5/8" diameter Stainless Steel cams
- 1/2" rise
- Heavy, reinforced Stainless 316 construction
- Smooth, easy action
- Industry standard for exceptionally rugged installations

DENT
DESIGN HARDWARE

1-800-598-DENT
www.dent-mfg.com

Fax: 610-262-1870
sales@dent-mfg.com

D-311 12" Heavy Duty Cam-Lift Hinge



SPECIFICATIONS

Overall Length: 13-9/32"

Material: Stainless Steel 316

Finishes: Mirror Polish
*Other finishes available

Offsets: Flush, 1 1/8", 1 1/4", 1 3/8", 1 1/2", 1 5/8", 1 3/4"
*Other offsets available

Screw Holes: 1/4" Hole, 82° Countersunk

Shipping Weight: Stainless 8.0 lbs / pair

Hinge Load Capacity: Stainless 250 lbs / 1 pair

D-34-MS Edgemount Self-Closing Hinge



HINGES

FEATURES

- Heavy duty edgemount for freezers or walk-ins
- Reversible swing
- Self-lubricating, wear-resistant Nylon and Delrin cams
- 1/2" lift
- Easy opening, smooth self-closing action
- Lift-off capability
- Corrosion-resistant alloy

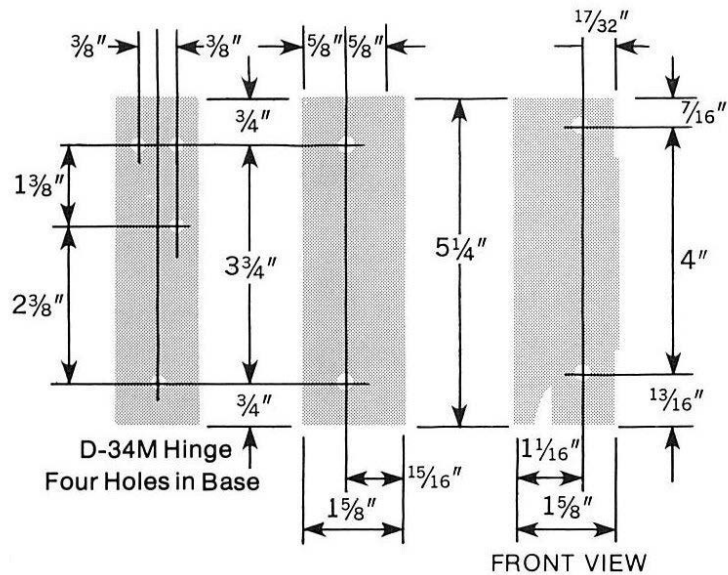
DENT
DESIGN HARDWARE

1-800-598-DENT
www.dent-mfg.com

Fax: 610-262-1870
sales@dent-mfg.com

D-34-MS Edgemount Self-Closing Hinge

HINGES



SPECIFICATIONS

Overall Length: 5-1/4"

Overall Width: 1-5/8"

Material: Aluminum

Finishes: Polished Aluminum
Brushed Aluminum
*Other finishes available

Screw Holes: 1/4" Hole, 82° Countersunk

Shipping Weight: Aluminum 1.5 lbs / pair

Hinge Load Capacity: Aluminum 100 lbs / 1 pair for a 3' door

DENT
DESIGN HARDWARE

1-800-598-DENT
www.dent-mfg.com

Fax: 610-262-1870
sales@dent-mfg.com

D-34-MST Double Action Traffic Door Hinge



HINGES

FEATURES

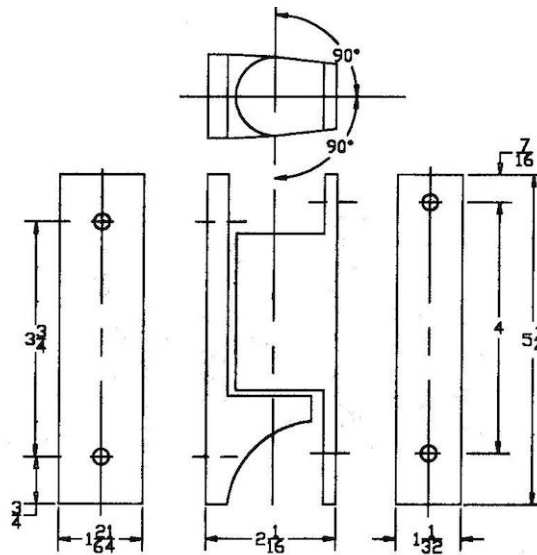
- Easy opening, self-closing
- Self-lubricating, wear-resistant Nylon and Delrin cams
- 1/2" lift
- Simple installation
- Lift off capability
- high-strength Aluminum
- Corrosion-resistant alloy
- Economical to use

DENT
DESIGN HARDWARE

1-800-598-DENT
www.dent-mfg.com

Fax: 610-262-1870
sales@dent-mfg.com

D-34-MST Double Action Traffic Door Hinge



SPECIFICATIONS

Overall Length: 5-1/4"

Overall Width: 1-5/8"

Material: Aluminum

Finishes: Polished Aluminum
Brushed Aluminum
*Other finishes available

Screw Holes: D-34-MS, 1/4" Hole, 82° Countersunk

Shipping Weight: Aluminum 1.5 lbs / pair

Hinge Load Capacity: Aluminum 100 lbs / 1 pair for a 3' door

D-36 17" Heavy Duty 3 Post Strap Hinge



HINGES

FEATURES

DISCONTINUED FOR OEM USE
SOLD AS REPLACEMENT ONLY
Use D-38 lift or non-lift hinge.

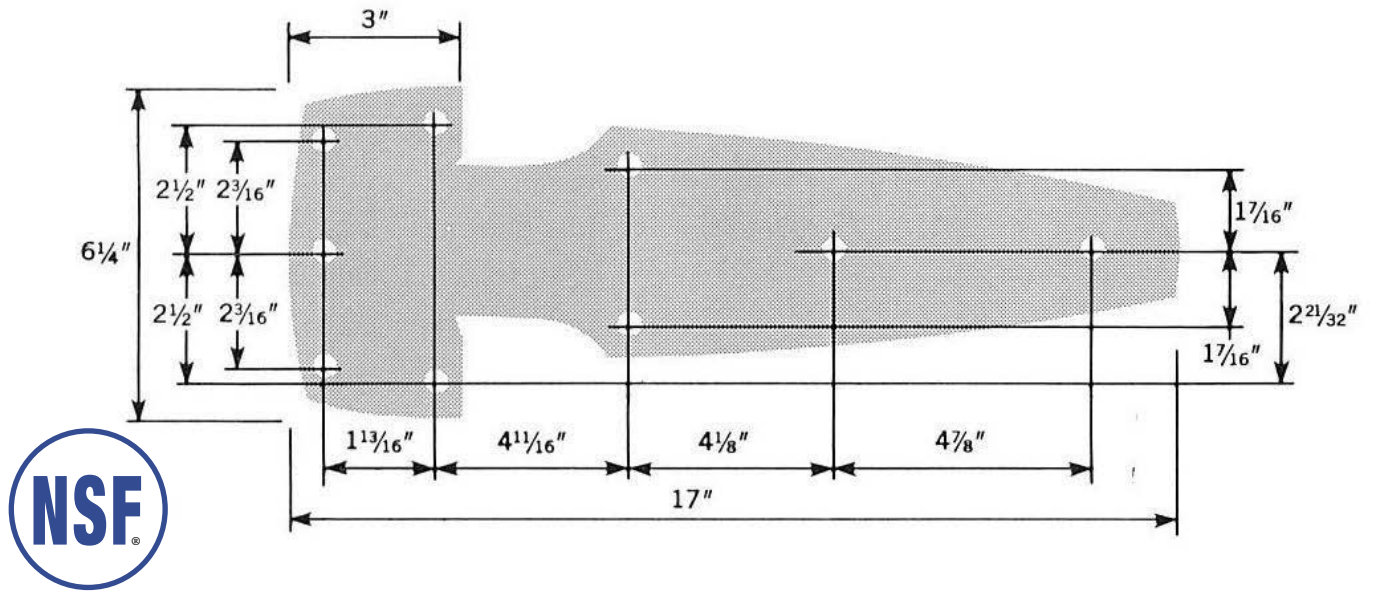
- 3/8" diameter #304 Stainless Steel pin
- Two hardened Steel ball bearings
- Three post base construction
- Heavy, reinforced Manganese Bronze construction
- Reversible for right or left hand by changing bearing
- Also available in high-strength Aluminum

DENT
DESIGN HARDWARE

1-800-598-DENT
www.dent-mfg.com

Fax: 610-262-1870
sales@dent-mfg.com

D-36 17" Heavy Duty 3 Post Strap Hinge



SPECIFICATIONS

Overall Length: 17"

Materials: Manganese Bronze
Aluminum

Finishes: Polished Aluminum
Polished Chrome
*Other finishes available

Offsets: Flush, 1-1/8", 1-1/4"
*Other offsets available
*Base shims 1/8" thick available

Screw Holes: 1/4" Hole, 82° Countersunk

Shipping Weight: Bronze 13.0 lbs / pair

Hinge Load Capacity: Bronze 250 lbs / 1 pair for a 3' door

D-38 17" Reversible Large Door Cam-Lift Hinge



HINGES

FEATURES

- 17" reversible large door lift hinge
- Wear-resistant cast metal cams
- 1/2" lift
- Super high-strength Aluminum alloy
- Rugged and economical
- Long life operation
- Also available in Manganese Bronze
- Non-lift option replaces D-36



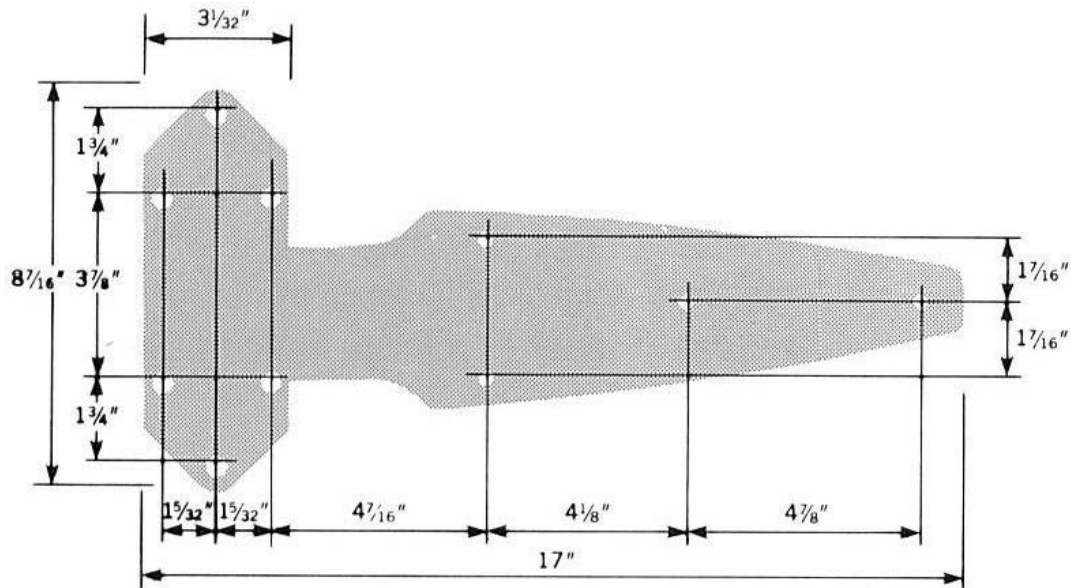
DENT
DESIGN HARDWARE

1-800-598-DENT
www.dent-mfg.com

Fax: 610-262-1870
sales@dent-mfg.com

D-38 17" Reversible Large Door Cam-Lift Hinge

HINGES



SPECIFICATIONS

Overall Length: 17"

Materials: Manganese Bronze
Aluminum
Stainless Steel

Finishes: Cast Aluminum
Polished Chrome
Polished Stainless Steel
*Other finishes available

Offsets: Flush, 1", 1-1/8", 1-1/4", 1-3/8", 1-1/2", 1-5/8", 1-3/4", 1-7/8", 2"
*Base shims 1/8" thick available

Screw Holes: Base Drilled 7/16" Hole
3/8" Lag Bolt Strap: 1/4" Hole, 82° Countersunk

Shipping Weight: Aluminum 6.6 lbs / pair
Bronze and Stainless Steel each 19.8 lbs / pair

Hinge Load Capacity: Stainless Steel 500 lbs / 1 pair for a 3' door

DENT
DESIGN HARDWARE

1-800-598-DENT
www.dent-mfg.com

Fax: 610-262-1870
sales@dent-mfg.com

D-45 7" Heavy Duty strap Hinge



HINGES

FEATURES

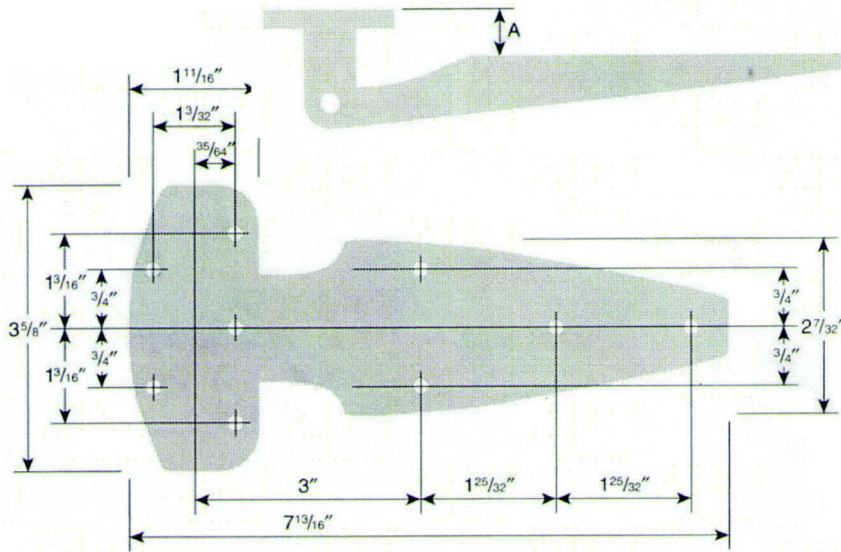
- Rugged, high-strength Manganese Bronze construction
- Oilite Hi-Temp bearings standard (Nylon bearings available)
- 5/16" diameter Stainless Steel pin
- Reversible for right or left hand door

DENT
DESIGN HARDWARE

1-800-598-DENT
www.dent-mfg.com

Fax: 610-262-1870
sales@dent-mfg.com

D-45 7" Heavy Duty Strap Hinge



SPECIFICATIONS

Overall Length: 7-13/16"

Material: Manganese Bronze

Finish: Cast Chrome

Offsets: Flush, 5/8"
*Other offsets specify

Screw Holes: No. 10 Screw

Shipping Weight: Bronze 2.5 lbs / pair

Hinge Load Capacity: Bronze 180 lbs / 1 pair for a 3' door

D-61 Self Closing Cam-Lift Hinge



FEATURES

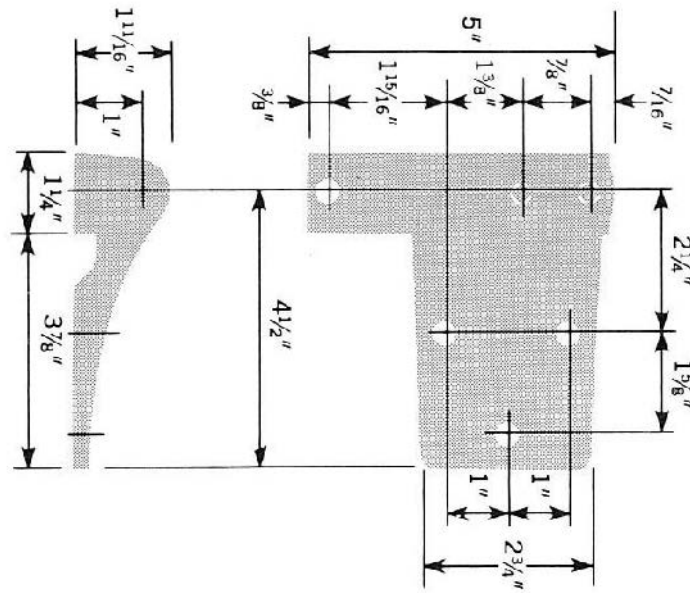
- Corrosion-resistant alloy
- Lift-off capability
- Wear resistant Delrin cams
- 1/2" lift
- Easy opening, self-closing action
- Lightweight design saves freight and handling costs
- Durable construction, long life
- Designed especially for foam construction

DENT
DESIGN HARDWARE

1-800-598-DENT
www.dent-mfg.com

Fax: 610-262-1870
sales@dent-mfg.com

D-61 Self Closing Cam-Lift Hinge



SPECIFICATIONS

Overall Length: 5-1/8"

Material: Aluminum

Finishes: Polished Aluminum
 Brushed Aluminum
 *Other finishes available

Offsets: Flush

Screw Holes: 1/4" Hole, 82° Countersunk

Shipping Weight: Aluminum 1.6 lbs / pair

Hinge Load Capacity: Aluminum 150 lbs / 1 pair for a 3' door

D-61H69 Reversible Cam-Lift Hinge



HINGES

FEATURES

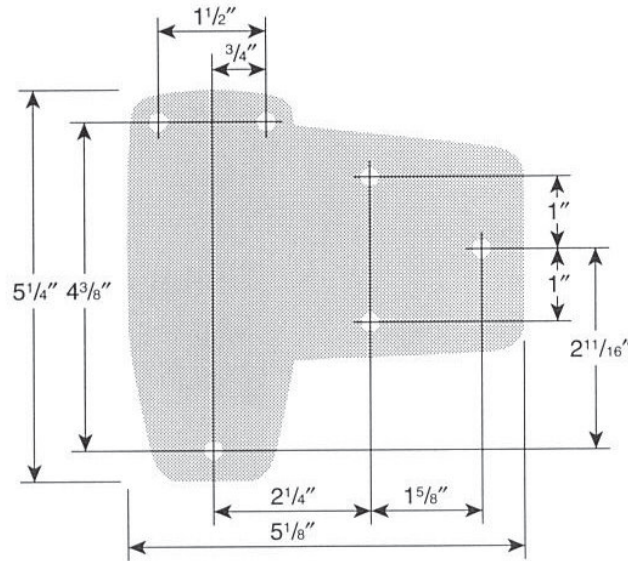
- Self-lubricating, wear-resistant Nylon and Delrin cams
- 1/2" lift
- Lift off feature for easy handling and installation
- Reversible for right or left hand doors
- Smooth opening and closing
- High strength, corrosion-resistant Aluminum
- Spring loaded for extra closing power—specify D-61**HS**69

DENT
DESIGN HARDWARE

1-800-598-DENT
www.dent-mfg.com

Fax: 610-262-1870
sales@dent-mfg.com

D-61H69 Reversible Cam-Lift Hinge



SPECIFICATIONS

Overall Length: 5-1/8"

Material: Aluminum

Finishes: Polished Aluminum
Brushed Aluminum
Endurakote Nylon
*Other finishes available

Offsets: 1-1/8", 1-1/4", 1-3/8", 1-1/2", 1-5/8"

Screw Holes: 1/4" Hole, 82° Countersunk

Shipping Weight: Aluminum 2.0 lbs / pair

Hinge Load Capacity: Aluminum 150 lbs / 1 pair for a 3' door

D-61-S Spring-Assisted Cam-Lift Hinge



HINGES

FEATURES

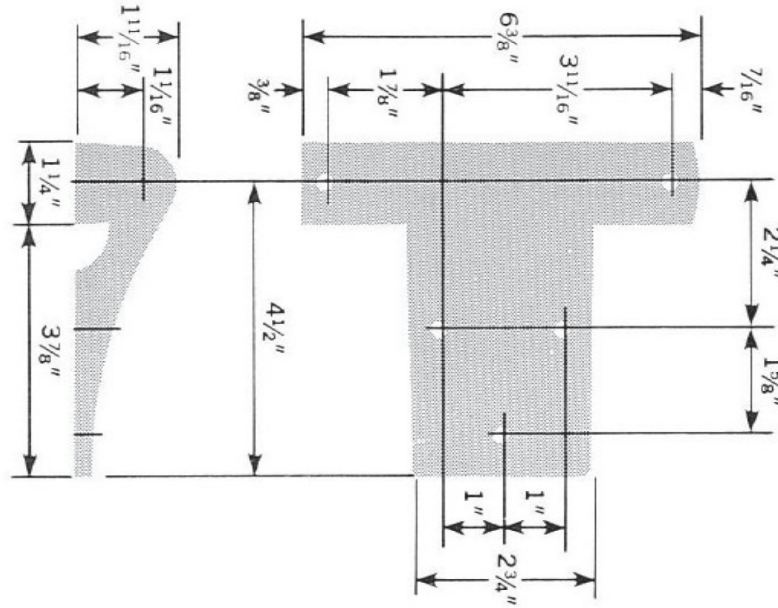
- Non-reversible design for reliable spring action
- Heavy duty spring
- Corrosion-resistant alloy
- Wear resistant Delrin cams
- 1/2" lift
- Tamperproof spring housing for safety
- Lightweight design saves freight and handling costs
- Durable construction, long life
- Designed especially for foam construction
- Specify right or left hand when ordering
- Designed especially for foam construction

DENT
DESIGN HARDWARE

1-800-598-DENT
www.dent-mfg.com

Fax: 610-262-1870
sales@dent-mfg.com

D-61-S Spring-Assisted Cam-Lift Hinge



SPECIFICATIONS

Overall Length: 5-1/8"

Material: Aluminum

Finishes: Polished Aluminum
 Brushed Aluminum
 *Other finishes available

Offsets: Flush

Screw Holes: 1/4" Hole, 82° Countersunk

Shipping Weight: Aluminum 1.8 lbs / pair

Hinge Load Capacity: Aluminum 150 lbs / 1 pair for a 3' door

D-69 Reversible Self-Closing Cam Lift Hinge



HINGES

FEATURES

- Reversible swing
- Contemporary styling
- Self-lubricating, wear-resistant Nylon and Delrin cams
- 1/2" lift
- Easy opening, smooth self-closing action
- Lift off capability
- Corrosion-resistant alloy
- Freezeproof, no matter how it's cleaned
- Lightweight design saves freight and handling costs
- Longlife, tested 1 million cycles
- Designed especially for foam construction

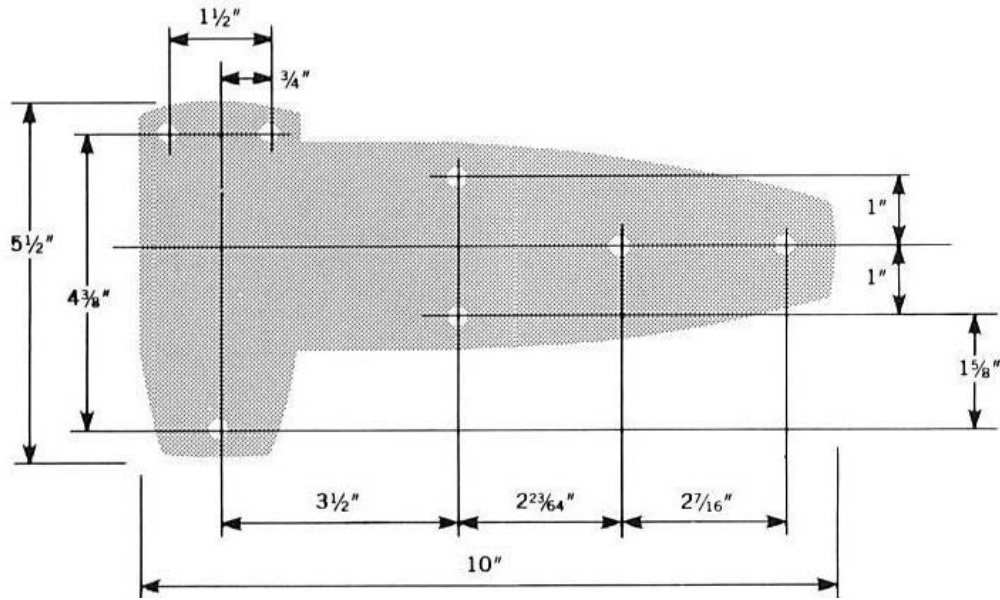
DENT
DESIGN HARDWARE

1-800-598-DENT
www.dent-mfg.com

Fax: 610-262-1870
sales@dent-mfg.com

D-69 Reversible Self-Closing Cam Lift Hinge

HINGES



SPECIFICATIONS

Overall Length: 10"

Material: Aluminum

Finishes: Polished Aluminum
Brushed Aluminum
*Other finishes available

Offsets: Flush, 1-1/8", 1-1/4", 1-3/8", 1-1/2", 1-5/8", 1-3/4", 1-7/8", 2"

Screw Holes: 1/4" Hole, 82° Countersunk

Shipping Weight: Aluminum 2.8 lbs / pair

Hinge Load Capacity: Aluminum 150 lbs / 1 pair for a 3' door

DENT
DESIGN HARDWARE

1-800-598-DENT
www.dent-mfg.com

Fax: 610-262-1870
sales@dent-mfg.com

D-69-B 11" 2 Post Reversible Self-Closing Hinge



HINGES

FEATURES

- Heavy duty, 2-post hinge
- Reversible swing
- Self-lubricating, wear-resistant Nylon and Delrin cams
- 1/2" lift
- Easy opening, smooth self-closing action
- Corrosion-resistant alloy
- Designed especially for foam construction

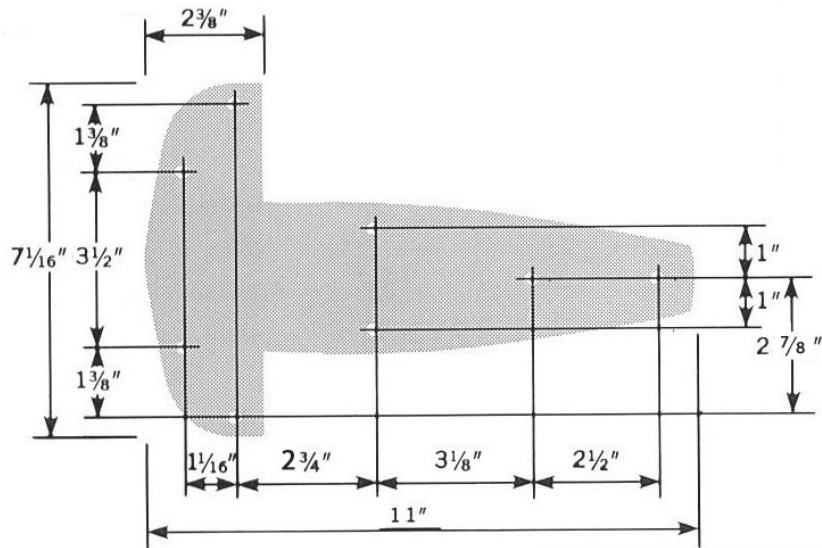
DENT
DESIGN HARDWARE

1-800-598-DENT
www.dent-mfg.com

Fax: 610-262-1870
sales@dent-mfg.com

D-69-B 11" 2 Post Reversible Self-Closing Hinge

HINGES



SPECIFICATIONS

Overall Length: 11"

Material: Aluminum

Finishes: Polished Aluminum
Brushed Aluminum
*Other finishes available

Offsets: Flush

Screw Holes: 1/4" Hole, 82° Countersunk

Shipping Weight: Aluminum 3.5 lbs / pair

Hinge Load Capacity: Aluminum 200 lbs / 1 pair for a 3' door

DENT
DESIGN HARDWARE

1-800-598-DENT
www.dent-mfg.com

Fax: 610-262-1870
sales@dent-mfg.com

D-69-S 10" Spring-Assisted Cam Lift Hinge



HINGES

FEATURES

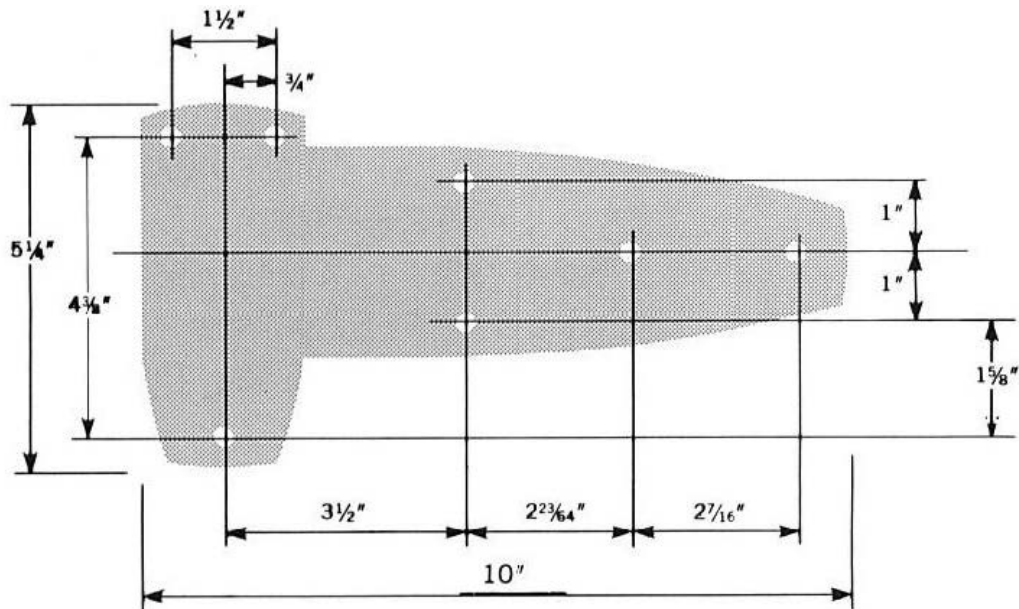
- Non-reversible design for reliable spring action
- Heavy duty spring
- Contemporary styling
- Self-lubricating, wear-resistant Nylon and Delrin cams
- 1/2" lift
- Corrosion-resistant alloy
- Durable construction, long life
- Tamperproof spring housing
- Designed especially for foam construction
- Specify right or left hand when ordering

DENT
DESIGN HARDWARE

1-800-598-DENT
www.dent-mfg.com

Fax: 610-262-1870
sales@dent-mfg.com

D-69-S 10" Spring-Assisted Cam Lift Hinge



SPECIFICATIONS

Overall Length: 10"

Material: Aluminum

Finishes: Polished Aluminum
Brushed Aluminum
*Other finishes available

Offsets: Flush, 1-1/8", 1-1/4", 1-3/8", 1-1/2", 1-5/8", 1-3/4", 1-7/8", 2"

Screw Holes: 1/4" Hole, 82° Countersunk

Shipping Weight: Aluminum 3.5 lbs / pair

Hinge Load Capacity: Aluminum 150 lbs / 1 pair for a 3' door

D-75 7" Medium Duty Strap Hinge



HINGES

FEATURES

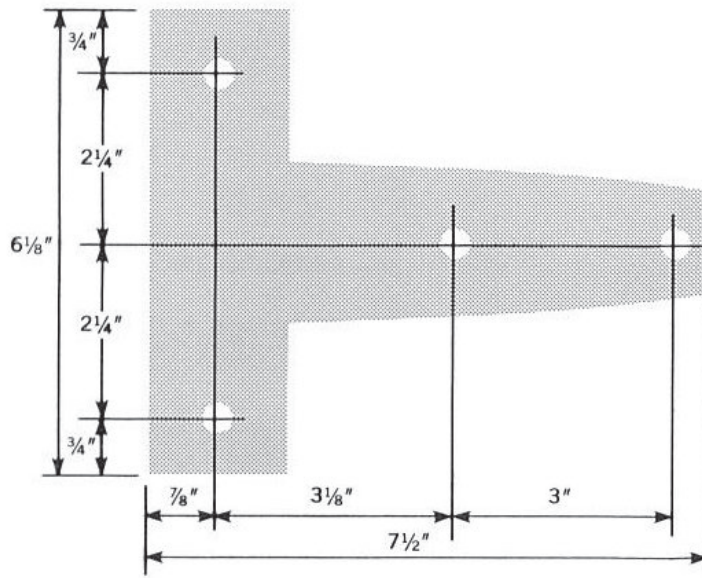
- High strength Aluminum
- Corrosion-resistant
- Long life, wear-resistant Nylon bearings
- 3/8" diameter Stainless Steel pin, 1/2" diameter option
- Contemporary styling, easy cleaning
- Reversible swing
- Reliable, efficient, and economical
- Versatile; unlimited applications
- Optional 3/8" countersunk holes available

DENT
DESIGN HARDWARE

1-800-598-DENT
www.dent-mfg.com

Fax: 610-262-1870
sales@dent-mfg.com

D-75 7" Medium Duty Strap Hinge



SPECIFICATIONS

Overall Length: 7-1/2"

Material: Aluminum

Finishes: Polished Aluminum
Brushed Aluminum
*Other finishes available

Offsets: Flush
*Base shims 1/8" thick available

Screw Holes: 1/4" Hole, 82° Countersunk

Shipping Weight: Aluminum 2.2 lbs / pair

Hinge Load Capacity: Aluminum 175 lbs / 1 pair for a 3' door

D-88 Concealed Spring-Assisted Cam-Lift Hinge



HINGES

FEATURES

- Unique spring design concealed in a strap
- Less chance of damage to spring
- Ultimate tamperproof design eliminates unqualified field adjustments
- Cleaner lines, less cumbersome appearance
- Life cycle tested, 100,000 repetitions
- Freezeproof, no matter how it's cleaned
- Corrosion-resistant, light weight alloy
- Wear resistant Delrin base cam
- 1/2" lift
- Non-reversible design, dependable closing
- Designed especially for foam construction

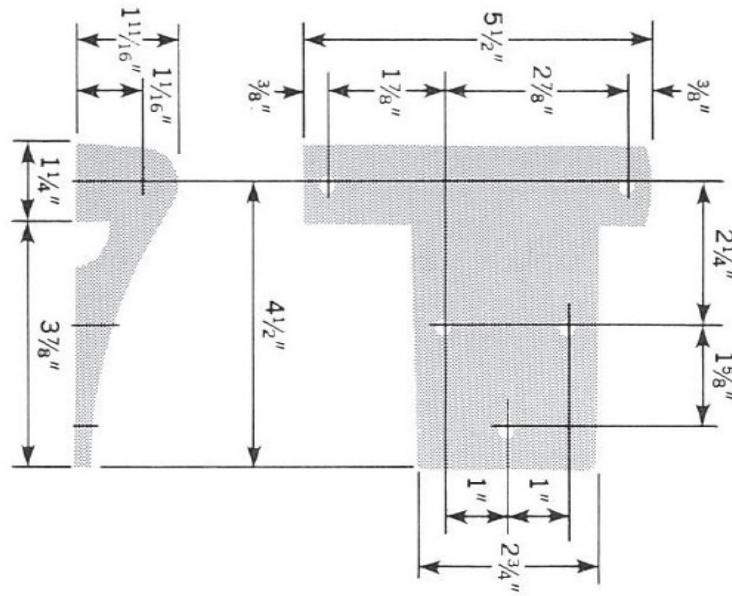
DENT
DESIGN HARDWARE

1-800-598-DENT
www.dent-mfg.com

Fax: 610-262-1870
sales@dent-mfg.com

D-88 Concealed Spring-Assisted Cam-Lift Hinge

HINGES



SPECIFICATIONS

Overall Length: 5-1/8"

Material: Aluminum

Finishes: Polished Aluminum
Brushed Aluminum
*Other finishes available

Offsets: Flush

Screw Holes: 1/4" Hole, 82° Countersunk

Shipping Weight: Aluminum 1.7 lbs / pair

Hinge Load Capacity: Aluminum 150 lbs / 1 pair for a 3' door

DENT
DESIGN HARDWARE

1-800-598-DENT
www.dent-mfg.com

Fax: 610-262-1870
sales@dent-mfg.com

D-95 9" Heavy Duty Strap Hinge



FEATURES

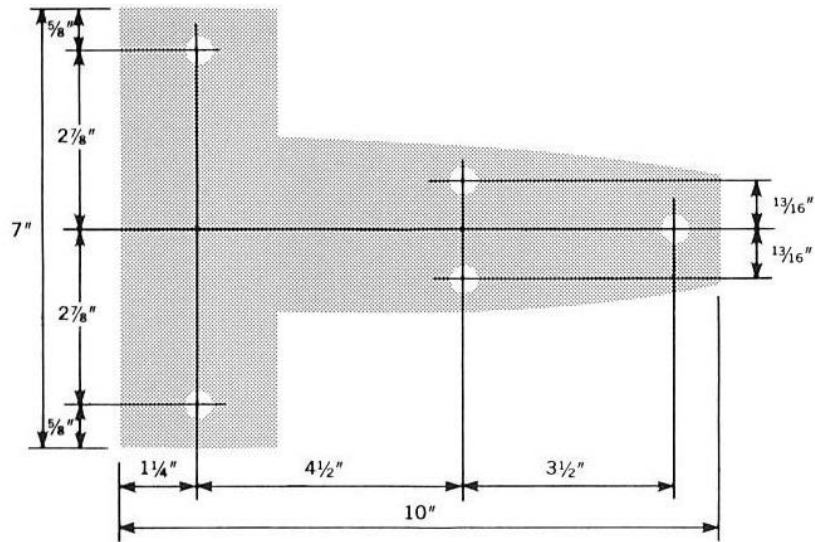
- High strength Aluminum
- Corrosion-resistant
- Long life, wear-resistant Delrin bearings
- 1/2" diameter Stainless Steel pin
- Contemporary styling, easy cleaning
- Reversible swing
- Reliable, efficient, and economical
- Versatile; unlimited applications
- Optional 3/8" countersunk holes available

DENT
DESIGN HARDWARE

1-800-598-DENT
www.dent-mfg.com

Fax: 610-262-1870
sales@dent-mfg.com

D-95 9" Heavy Duty Strap Hinge



SPECIFICATIONS

Overall Length: 10"

Material: Aluminum

Finishes: Polished Aluminum
Brushed Aluminum
*Other finishes available

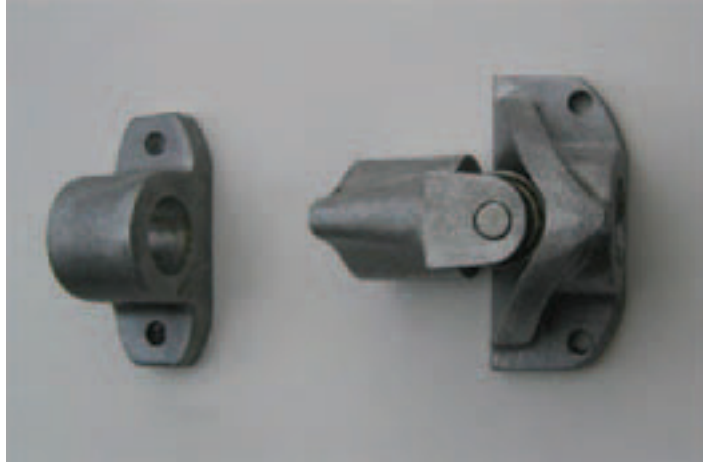
Offsets: Flush
*Base shims 1/8" thick available

Screw Holes: 1/4" Hole, 82° Countersunk

Shipping Weight: Aluminum 5.4 lbs / pair

Hinge Load Capacity: Aluminum 250 lbs / 1 pair for a 3' door

D-192 Double Acting Traffic Door Hinge



FEATURES

- Cam lift action to open doors
- Gravity action to close
- Machined for standard 1" pipe (1-5/16" OD—pipe not included)
- High strength, corrosion-resistant Aluminum
- **Note:** 1 set = 1 roller, 1 cam, 1 support

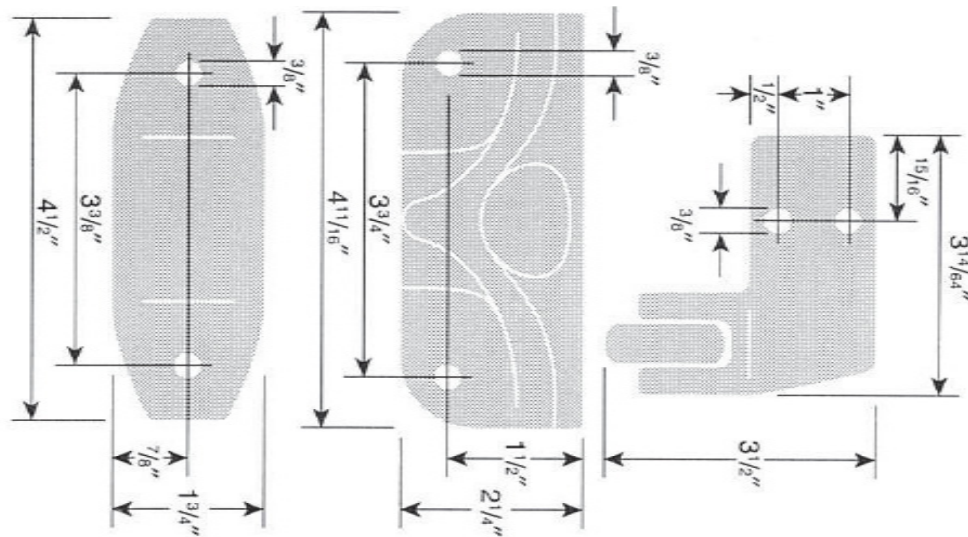
DENT
DESIGN HARDWARE

1-800-598-DENT
www.dent-mfg.com

Fax: 610-262-1870
sales@dent-mfg.com

D-192 Double Acting Traffic Door Hinge

HINGES



SPECIFICATIONS

Material: Aluminum

Finish: Cast Aluminum

Screw Holes: 13/8" Hole

Shipping Weight: Aluminum 2.45 lbs / pair

Hinge Load Capacity: Aluminum 150 lbs / 1 pair for a 3' door

DENT
DESIGN HARDWARE

1-800-598-DENT
www.dent-mfg.com

Fax: 610-262-1870
sales@dent-mfg.com

D-240 11" 2 Post Reversible Self-Closing Hinge



HINGES

FEATURES

- Hole compatible with Kason 1240 Hinge
- Heavy duty, 2-post hinge
- Reversible swing, no assembly required
- Ultra rugged design
- 1/2" lift
- Easy opening, smooth self-closing action
- Always supplied with stainless steel 3/8" pivot pin
- Corrosion resistant alloy Aluminum or Stainless Steel 316 construction

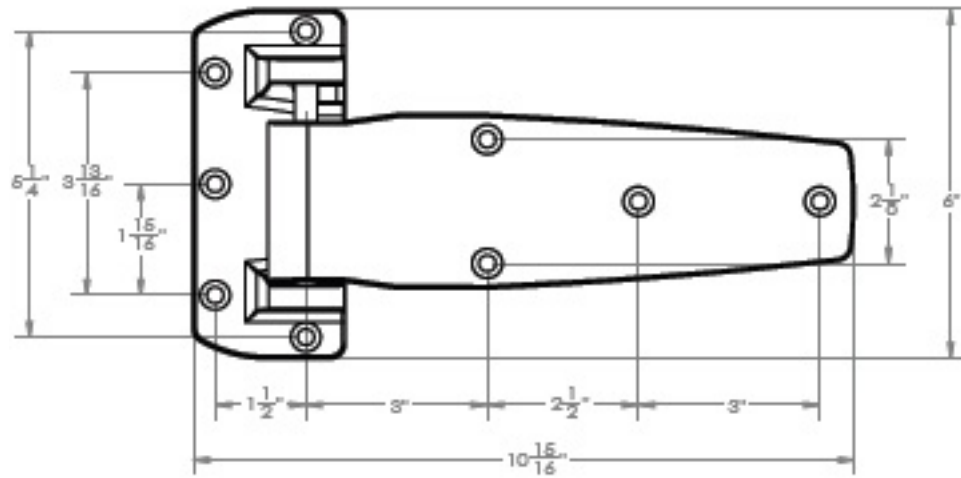
DENT
DESIGN HARDWARE

1-800-598-DENT
www.dent-mfg.com

Fax: 610-262-1870
sales@dent-mfg.com

D-240 11" 2 Post Reversible Self-Closing Hinge

HINGES



SPECIFICATIONS

Overall Length: 11"

Materials: Aluminum or Stainless Steel 316

Finishes: Polished Aluminum and Stainless
Brushed Aluminum and Stainless
Edurakote Gray or White

*Other finishes and coatings available upon request

Offsets: 1 3/8"

Screw Holes: 1/4" Hole, 82° Countersunk

Shipping Weight: Aluminum 3.5 lbs / pair, Stainless 10.5 lbs / pair

Hinge Load Capacity: Aluminum 200 lbs / pair for a 3' door,
Stainless 300 lbs / pair for a 3' door

DENT
DESIGN HARDWARE

1-800-598-DENT
www.dent-mfg.com

Fax: 610-262-1870
sales@dent-mfg.com

D-310 12" Heavy Duty Reversible Cam-Lift Hinge



HINGES

FEATURES

new

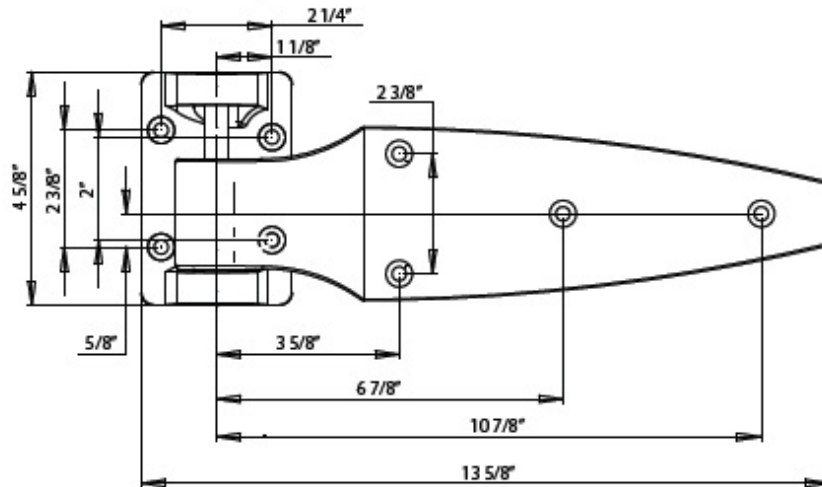
- Now available with spring option
- Available in Aluminum or Stainless Steel 316
- Heavy duty
- Wear-resistant, integral cast cam action
- 1/2" lift
- 1/2" diameter main pin, Stainless Steel 300 grade
- Corrosion-resistant
- Reversible
- Long life operation

DENT
DESIGN HARDWARE

1-800-598-DENT
www.dent-mfg.com

Fax: 610-262-1870
sales@dent-mfg.com

D-310 12" Heavy Duty Reversible Cam-Lift Hinge



SPECIFICATIONS

Overall Length: 13-5/8"

Materials: Stainless Steel
Aluminum

Finishes: Brushed Stainless Steel
Polished Stainless Steel
Brushed Aluminum
Polished Aluminum
Edurakote Nylon
*Other finishes available

Offsets: Flush, 1-1/4"
*Base shims 1/8" thick available

Screw Holes: 1/4" Hole, 82° Countersunk

Shipping Weight: Aluminum 3 lbs each / Stainless Steel 8.25 lbs each

Hinge Load Capacity: Aluminum 250 lbs per pair for a 3' door,
Stainless Steel 500 lbs per pair for a 3' door

D-690-B 2 Post Reversible Spring Assisted Hinge



HINGES

FEATURES

- Heavy duty 11", 2-post hinge
- Spring assisted
- Concealed spring action
- Reversible swing
- Self-lubricating, wear-resistant Nylon and Delrin cams
- 1/2" lift
- Easy opening, smooth positive self-closing
- Corrosion-resistant alloy
- Designed especially for foam construction
- Available in adjustable version

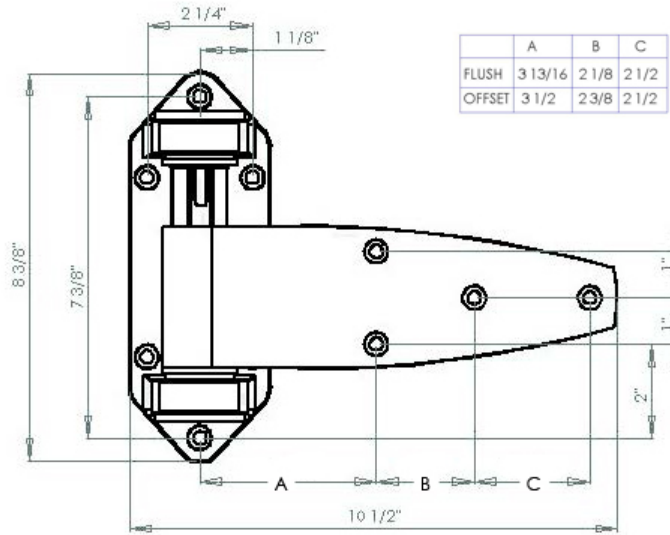
DENT
DESIGN HARDWARE

1-800-598-DENT
www.dent-mfg.com

Fax: 610-262-1870
sales@dent-mfg.com

D-690-B 2 Post Reversible Spring Assisted Hinge

HINGES



SPECIFICATIONS

Overall Length: 11"

Materials: Stainless Steel
Aluminum

Finishes: Polished Aluminum
Brushed Aluminum
Polished Stainless Steel

Offsets: Flush, 1-1/4", 1-3/8", 1-3/4"

Screw Holes: 1/4" Hole, 82° Countersunk

Shipping Weight: Aluminum 3.5 lbs / pair

Hinge Load Capacity: Aluminum 200 lbs / 1 pair for a 3' door

DENT
DESIGN HARDWARE

1-800-598-DENT
www.dent-mfg.com

Fax: 610-262-1870
sales@dent-mfg.com

D-690-C 10" Self-Closing Cam Lift Hinge



HINGES

FEATURES

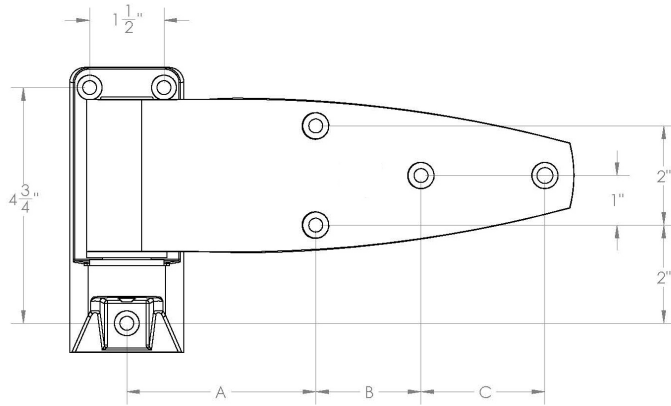
- Adjustable version now available with same hold pattern and appearance
- Reverse hinge swing in seconds for right or left hand door, just slide blade off and reverse
- Easy opening, smooth self-closing, cam lift action
- Heavy duty 3/8" diameter Stainless Steel pin
- Super sized, heavy duty, self-lubricating Nylon cams deliver smooth, trouble-free operation, closing door with minimum effort
- Cam lift action reduces gasket wear, built in dwell holds door open beyond 90°
- Doors lift off without disassembly or removing hinges
- Concealed spring, specify D-690-CS
- Cam lift only, specify D-690-C—3 part spring kit is available to convert camlift to D-690-CS as needed
- Heavy duty spring, specify D-690-HDS

DENT
DESIGN HARDWARE

1-800-598-DENT
www.dent-mfg.com

Fax: 610-262-1870
sales@dent-mfg.com

D-690-C 10" Self-Closing Cam Lift Hinge



	A	B	C
FLUSH	3 13/16	2 1/8	2 1/2
OFFSET	3 1/2	2 3/8	2 1/2

SPECIFICATIONS

Overall Length: 10"

Material: Aluminum
Stainless Steel

Finishes: Polished Aluminum or Stainless Steel
Brushed Aluminum or Stainless Steel
Endurakote Nylon

Offsets: Flush, 1-1/8", 1-1/4", 1-3/8", 1-3/4"
*Base shims 1/8" and 1/4" thick available

Screw Holes: 1/4" Hole, 82° Countersunk

Shipping Weight: Aluminum 2.4 lbs / each

Hinge Load Capacity: Aluminum 200 lbs / 1 pair for a 3' door

D-690-CS 10" Concealed Spring Hinge



HINGES

FEATURES

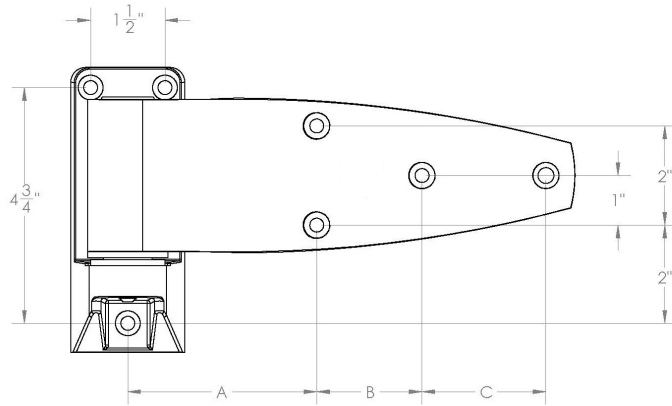
- Adjustable version now available with same hold pattern and appearance
- Reverse hinge swing in seconds for right or left hand door, just slide blade off and reverse
- Concealed spring action assists door closing without affecting hinge appearance
- Heavy duty 3/8" diameter Stainless Steel pin
- Super sized, heavy duty, self-lubricating Nylon cams deliver smooth, trouble-free operation, closing door with minimum effort
- Cam lift action reduces gasket wear, built in dwell holds door open beyond 90°
- Doors lift off without disassembly or removing hinges
- Concealed spring, specify D-690-CS
- Cam lift only, specify D-690-C—3 part spring kit is available to convert camlift to D-690-CS as needed
- Heavy duty spring, specify D-690-HDS

DENT
DESIGN HARDWARE

1-800-598-DENT
www.dent-mfg.com

Fax: 610-262-1870
sales@dent-mfg.com

D-690-CS 10" Concealed Spring Hinge



	A	B	C
FLUSH	3 13/16	2 1/8	2 1/2
OFFSET	3 1/2	2 3/8	2 1/2

SPECIFICATIONS

Overall Length: 10"

Material: Aluminum
Stainless Steel

Finishes: Polished Aluminum or Stainless Steel
Brushed Aluminum or Stainless Steel
Endurakote Nylon

Offsets: Flush, 1-1/8", 1-1/4", 1-3/8", 1-3/4"
*Base shims 1/8" and 1/4" thick available

Screw Holes: 1/4" Hole, 82° Countersunk

Shipping Weight: Aluminum 2.4 lbs / each

Hinge Load Capacity: Aluminum 200 lbs / 1 pair for a 3' door

D-690-HDS 10" Reversible Spring Hinge



HINGES

FEATURES

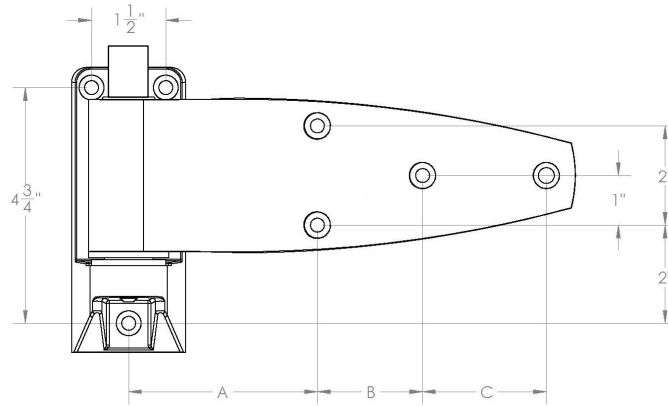
- Adjustable version now available with same hold pattern and appearance
- Reverse hinge swing in seconds for right or left hand door, just slide blade off and reverse
- Strong spring action adds extra closing force to overcome air resistance on heavy walk-in doors
- Heavy duty 3/8" diameter Stainless Steel pin
- Super sized, heavy duty, self-lubricating Nylon cams deliver smooth, trouble-free operation, closing door with minimum effort
- Cam lift action reduces gasket wear, built in dwell holds door open beyond 90°
- Doors lift off without disassembly or removing hinges
- Concealed spring, specify D-690-CS
- Cam lift only, specify D-690-C—3 part spring kit is available to convert camlift to D-690-CS as needed
- Heavy duty spring, specify D-690-HDS

DENT
DESIGN HARDWARE

1-800-598-DENT
www.dent-mfg.com

Fax: 610-262-1870
sales@dent-mfg.com

D-690-HDS 10" Reversible Spring Hinge



	A	B	C
FLUSH	3 13/16	2 1/8	2 1/2
OFFSET	3 1/2	2 3/8	2 1/2

SPECIFICATIONS

Overall Length: 10"

Material: Aluminum

Finishes: Polished Aluminum
 Brushed Aluminum
 Endurakote Nylon

Offsets: Flush, 1-1/8", 1-1/4", 1-3/8", 1-3/4"
 *Base shims 1/8" and 1/4" thick available

Screw Holes: 1/4" Hole, 82° Countersunk

Shipping Weight: Aluminum 2.4 lbs / each

Hinge Load Capacity: Aluminum 200 lbs / 1 pair for a 3' door

D-980 Heavy Duty Reversible Edgemount Hinge



HINGES

FEATURES

- Heavy duty, 2 post
- Edgemount
- Self-lubricating, wear-resistant Nylon and Delrin cams
- 5/16" lift
- Reversible for right and left hand doors
- Smooth opening and closing
- High strength Manganese Bronze

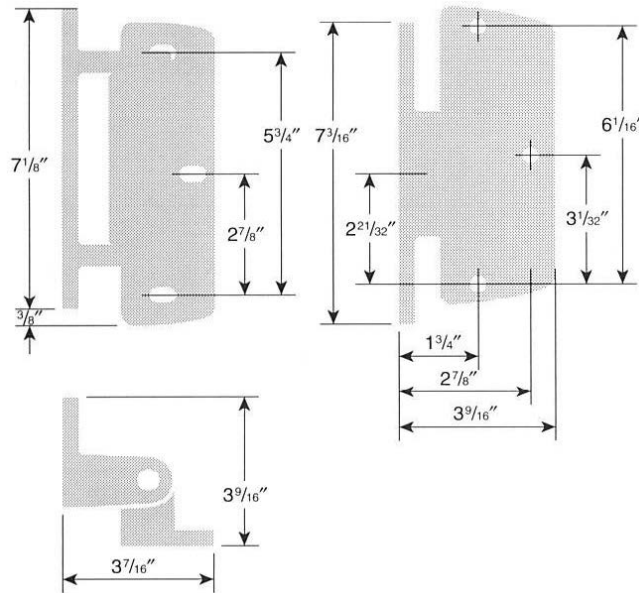
DENT
DESIGN HARDWARE

1-800-598-DENT
www.dent-mfg.com

Fax: 610-262-1870
sales@dent-mfg.com

D-980 Heavy Duty Reversible Edgemoount Hinge

HINGES



SPECIFICATIONS

Overall Length: 7-1/2"

Material: Manganese Bronze

Finishes: Polished Chrome
*Other finishes available

Offsets: 2-1/2", 3-1/2"
*Other offsets specify

Screw Holes: 3/8" Screw or 5/16" Screw

Shipping Weight: Bronze 12.0 lbs / pair

Hinge Load Capacity: Bronze 500 lbs / 1 pair for a 3' door

DENT
DESIGN HARDWARE

1-800-598-DENT
www.dent-mfg.com

Fax: 610-262-1870
sales@dent-mfg.com

D-27 Key Locking Deadbolt Handle



FEATURES

- 180° turn safety release for simple, intuitive exit
- The ONLY deadbolt latch on the market with a simple TURN safety release -- not a disassembly release
- Key-locking
- Padlock provision 3/8" diameter
- Easy-install safety release
- Heavy duty, contoured, ergonomic handle
- Two hole mountings available
 - Thru-hole mounting with cap plugs
 - Tamperproof blind holes for security applications

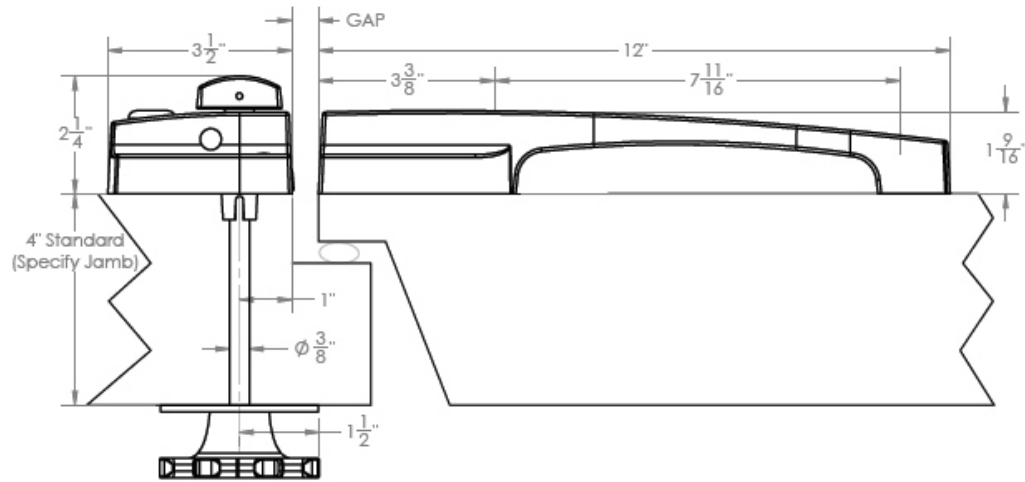
DENT
DESIGN HARDWARE

1-800-598-DENT
www.dent-mfg.com

Fax: 610-262-1870
sales@dent-mfg.com

HANDLES & MAGNETIC DOOR HARDWARE

D-27 Key Locking Deadbolt Handle



SPECIFICATIONS

Overall Length: 16"

Materials: Aluminum
Stainless Steel

Finishes: Polished Aluminum
Brushed Aluminum
Endurakote Nylon
*Other finishes available

Offsets: Flush

Thru Holes: 1/4" Cap Screw

Blind Hole: Drilled & Tapped 1/4 - 20" Machine Screw

Shipping Weight: Aluminum 1.85 lbs / each

Note: Specify wall thickness

DENT
DESIGN HARDWARE

1-800-598-DENT
www.dent-mfg.com

Fax: 610-262-1870
sales@dent-mfg.com

D-82 Lever Action Foot Treadle



FEATURES

- Easy lever action, long life
- Designed especially for high traffic door when hands-free access is needed
- Non-skid pedal surface
- Stainless Steel pin and low friction bearings
- Reversible for right or left hand door swing
- An excellent sales feature for coolers
- High strength, corrosion-resistant alloy
- Reversible

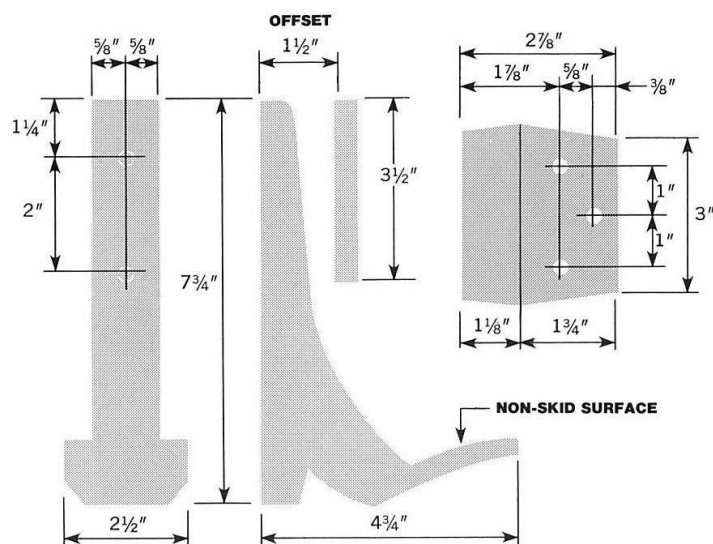
DENT
DESIGN HARDWARE

1-800-598-DENT
www.dent-mfg.com

Fax: 610-262-1870
sales@dent-mfg.com

HANDLES & MAGNETIC DOOR HARDWARE

D-82 Lever Action Foot Treadle



SPECIFICATIONS

Overall Length: 7-3/4"

Material: Aluminum

Finishes: Polished Aluminum
Brushed Aluminum
*Other finishes available

Offsets: Flush, 1-1/8", 1-1/4", 1-3/8", 1-1/2", 1-5/8"
*Other offsets specify

Screw Holes: 1/4" Hole, 82° Countersunk

Shipping Weight: Aluminum 1.5 lbs / each

D-83 Magnetic Door Breaker Handle



FEATURES

- Easy lever action, long life
- Tamperproof—all fasteners concealed
- Padlocking provision
- Equipped with Stainless Steel pin and low friction bearings
- Designed especially for lightweight, magnetic gasket walk-in doors
- High strength, corrosion-resistant alloy
- Inside safety release is optional and extra
 - Specify D-83-SR and wall thickness when ordering

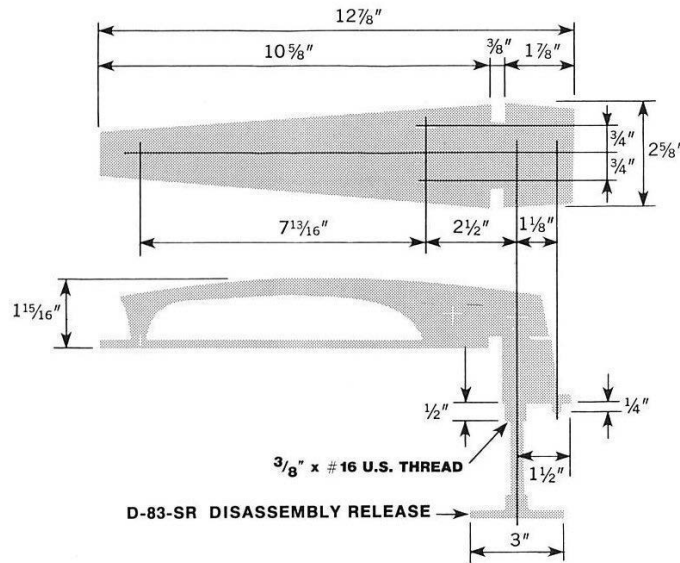
DENT
DESIGN HARDWARE

1-800-598-DENT
www.dent-mfg.com

Fax: 610-262-1870
sales@dent-mfg.com

HANDLES & MAGNETIC DOOR HARDWARE

D-83 Magnetic Door Breaker Handle



SPECIFICATIONS

Overall Length: 12-7/8"

Materials: Aluminum
Manganese Bronze

Finishes: Polished Aluminum
Brushed Aluminum
Polished Chrome
*Other finishes available

Offsets: Flush, 1-1/4", 1-5/8", 1-3/4"

Screw Holes: 1/4" Hole, 82° Countersunk

Shipping Weight: Aluminum 1.5 lbs / each
Bronze 3.3 lbs each

Note: Specify offset

D-89BR Key Locking Breaker Handle



FEATURES

- Easy lever action, long life
- Stainless Steel pin, low friction bearings
- Designed especially for magnetic gasket doors
- Heavy duty, wide handle, contoured finger grip
- Keyed cylinder lock and padlocking provision
- Safety 1/4 turn cam release handle or knob
- Also available with disassembly release
- Tamperfree—all fasteners concealed
- Contemporary, clean line styling
- High strength, corrosion-resistant alloy

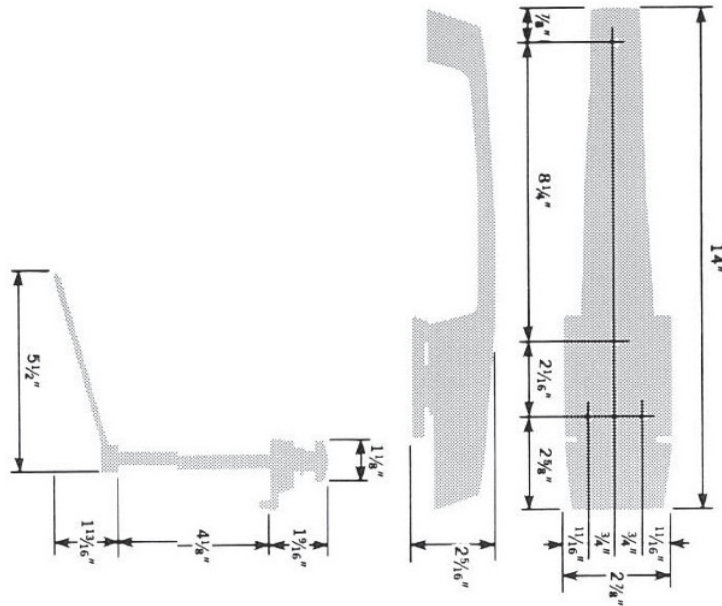
DENT
DESIGN HARDWARE

1-800-598-DENT
www.dent-mfg.com

Fax: 610-262-1870
sales@dent-mfg.com

HANDLES & MAGNETIC DOOR HARDWARE

D-89BR Key Locking Breaker Handle



SPECIFICATIONS

Overall Length: 14"

Materials: Aluminum
Stainless Steel

Finishes: Polished Aluminum
Brushed Aluminum
Polished Stainless Steel
Endurakote Nylon
*Other finishes available

Offsets: Flush

Screw Holes: 1/4" Hole, 82° Countersunk

Shipping Weight: Aluminum 1.6 lbs / each

D-89F Fixed Mount Key Locking Handle



FEATURES

- Designed for light weight magnetic gasket walk-in doors
- Fixed mounting pull handle
- Two hole mountings available:
 - Thru-hole—includes hole cap plugs
 - Blind-hole—tamperfree security
- Keyed cylinder lock and padlocking provision
- Two inside safety releases available:
 - 1/4 turn cam release handle or
 - disassembly knob
- Heavy duty, wide handle, contoured finger grip
- High strength, corrosion-resistant construction

DENT
DESIGN HARDWARE

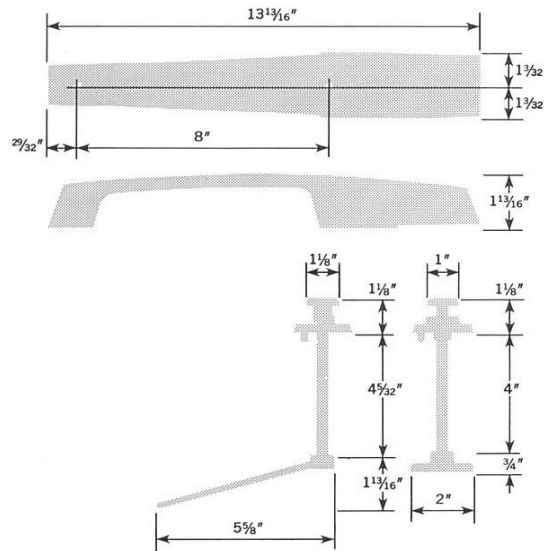
1-800-598-DENT
www.dent-mfg.com

Fax: 610-262-1870
sales@dent-mfg.com

HANDLES & MAGNETIC DOOR HARDWARE

D-89F Fixed Mount Key Locking Handle

HANDLES & MAGNETIC DOOR HARDWARE



SPECIFICATIONS

Overall Length: 13-13/16"

Materials: Aluminum
Stainless Steel

Finishes: Polished Aluminum
Brushed Aluminum
Polished Stainless Steel
Endurakote Nylon

Offsets: Flush

Thru Holes: 1/4" Cap Screw

Blind Hole: Drilled & Tapped 1/4" - 20 Screw

Shipping Weight: Aluminum 1.5 lbs / each

DENT
DESIGN HARDWARE

1-800-598-DENT
www.dent-mfg.com

Fax: 610-262-1870
sales@dent-mfg.com

D-89FNS Key Locking Unilatch Handle



FEATURES

- 300 Series stainless steel release rod with non-conducting slip-on tube
- Heavy duty, wide handle
- Key locking inside safety release on door
- No strike or safety release on jamb
- Reduced installation costs, easy assembly
- Eliminates alignment problems
- Two hole mountings available:
 - Thru-hole mounting w/cap plugs, or
 - tamperproof blind holes
- Unique design reduces snagging of clothing common with conventional latch/strike handles

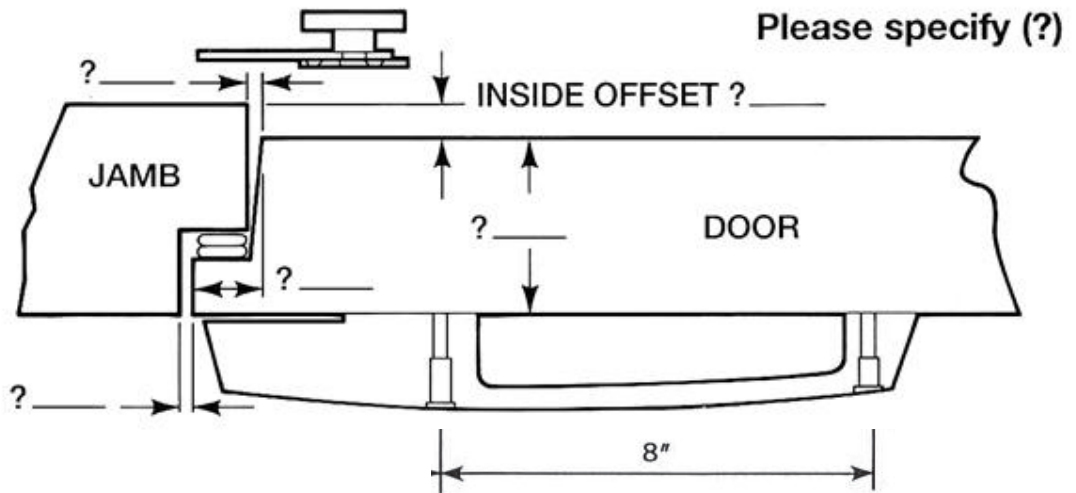
DENT
DESIGN HARDWARE

1-800-598-DENT
www.dent-mfg.com

Fax: 610-262-1870
sales@dent-mfg.com

HANDLES & MAGNETIC DOOR HARDWARE

D-89FNS Key Locking Unilatch Handle



SPECIFICATIONS

Overall Length: 14"

Materials: Aluminum
Stainless Steel

Finishes: Polished Aluminum
Brushed Aluminum
Polished Stainless Steel
Endurakote Nylon
*Other finishes available

Offsets: Flush or Offset

Thru Holes: 1/4" Cap Screw

Blind Hole: Drilled & Tapped 1/4" - 20 Screw

Shipping Weight: Aluminum 1.6 lbs / each

Note: Specify wall thickness

DENT
DESIGN HARDWARE

1-800-598-DENT
www.dent-mfg.com

Fax: 610-262-1870
sales@dent-mfg.com

D-90 Versatile Locking Breaker Handle



FEATURES

- Available with or without keyed cylinder lock
- Padlocking provision standard
- No-play handle when door is locked
- Hidden screw holes, tamperproof design
- Two inside safety releases available:
 - 90° quarter turn handle release (ADA compliant) or knob
 - Disassembly type release
- Wide base option for exposed screw holes for quick door mounting
- High strength, corrosion-resistant alloy
- Design especially for magnetic gasket doors
- Handle bumper to protect door finish

DENT
DESIGN HARDWARE

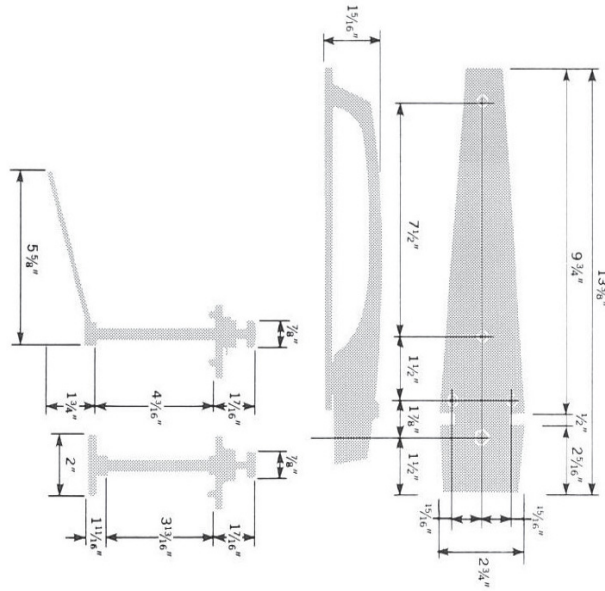
1-800-598-DENT
www.dent-mfg.com

Fax: 610-262-1870
sales@dent-mfg.com

HANDLES & MAGNETIC DOOR HARDWARE

D-90 Versatile Locking Breaker Handle

HANDLES & MAGNETIC DOOR HARDWARE



SPECIFICATIONS

Overall Length: 13-3/8"

Material: Aluminum

Finishes: Polished Aluminum
Brushed Aluminum
*Other finishes available

Offsets: Flush, 1-1/8", 1-1/4", 1-3/8", 1-1/2", 1-5/8", 1-3/4"

Screw Holes: 1/4" Hole, 82° Countersunk

Shipping Weight: Aluminum 2.5 lbs / each

Note: Specify offset, release type, and wall thickness

DENT
DESIGN HARDWARE

1-800-598-DENT
www.dent-mfg.com

Fax: 610-262-1870
sales@dent-mfg.com

D-90A Heavy Duty Breaker Handle



FEATURES

- Unbreakable, wide body handle
- Available with or without keyed cylinder lock
- Padlocking provision standard (3/8" diameter)
- Hidden screw holes, tamperproof design
- Two inside safety releases available:
 - 90° turn cam release handle or knob
 - Disassembly type release knob
- Handle bumper to protect door finish
- High strength, corrosion-resistant alloy
- Design especially for magnetic gasket doors

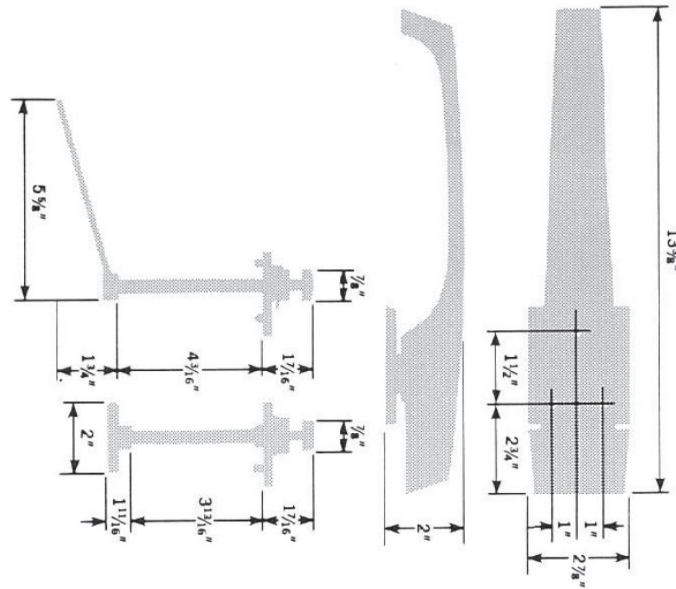
DENT
DESIGN HARDWARE

1-800-598-DENT
www.dent-mfg.com

Fax: 610-262-1870
sales@dent-mfg.com

HANDLES & MAGNETIC DOOR HARDWARE

D-90A Heavy Duty Breaker Handle



SPECIFICATIONS

Overall Length: 13-3/8"

Material: Aluminum

Finishes: Polished Aluminum
Brushed Aluminum
*Other finishes available

Offsets: Flush, 1-1/8", 1-1/4", 1-3/8", 1-1/2", 1-5/8", 1-3/4"

Screw Holes: 1/4" Hole, 82° Countersunk

Shipping Weight: Aluminum 2.5 lbs / each

Note: Specify offset, release type, and wall thickness

D-500 Locking Pull Handle



FEATURES

- Complete handle assembly mounts on door, eliminating alignment problems
- Heavy duty, corrosion-resistant cam lock
- 300 Series stainless steel release rod with non-conducting slip-on tube
- Dual acting 1/4 turn/disassembly type safety release knob
- 180° turn locking, reversible for right or left hand doors
- Mounts horizontally or vertically
- High strength, corrosion-resistant alloy
- Wear plate for safety release (optional)
- No lock handle—specify D-400
- Designed especially for foam construction

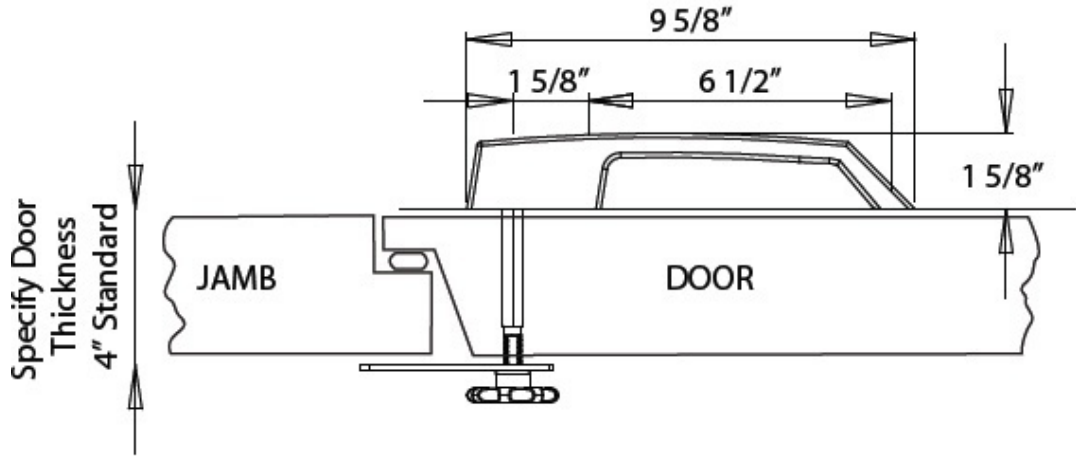
DENT
DESIGN HARDWARE

1-800-598-DENT
www.dent-mfg.com

Fax: 610-262-1870
sales@dent-mfg.com

HANDLES & MAGNETIC DOOR HARDWARE

D-500 Locking Pull Handle



SPECIFICATIONS

Overall Length: 9-5/8"

Material: Aluminum

Finishes: Polished Aluminum
Brushed Aluminum
Endurakote

Offsets: Flush
*Other offsets available (specify)

Screw Holes: 1/4" Hole, 82° Countersunk

Thru Holes: 1/4" - 20 Cap Screw

Shipping Weight: Aluminum 1.45 lbs / each

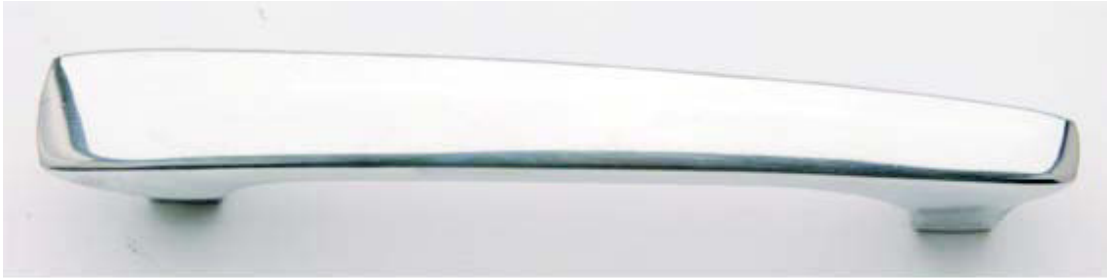
Note: When ordering, specify drawing dimensions, flush or offset, inside release material, finish, and door thickness. (Installation instructions furnished)

DENT
DESIGN HARDWARE

1-800-598-DENT
www.dent-mfg.com

Fax: 610-262-1870
sales@dent-mfg.com

D-110 Door Pull Handle



PULL HANDLES

FEATURES

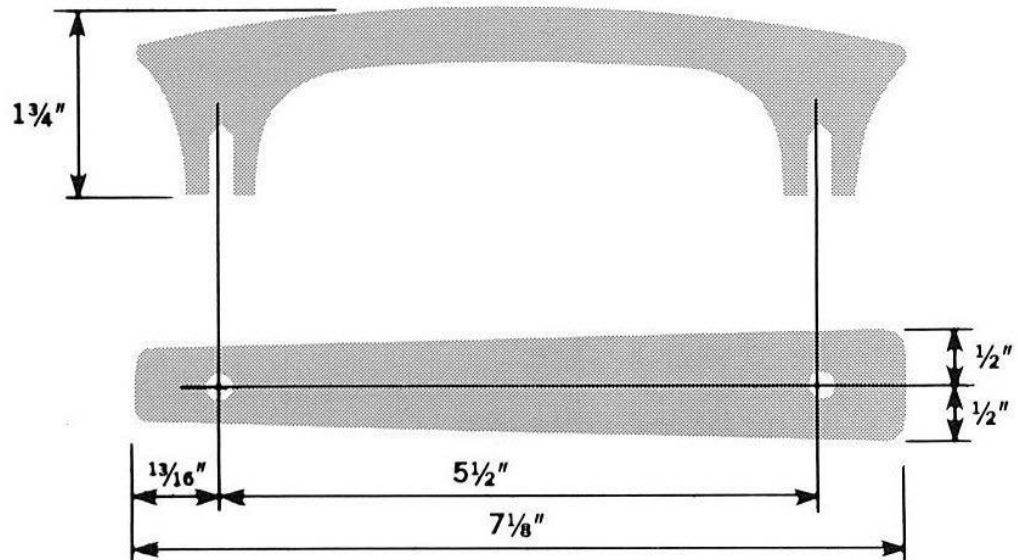
- For main door, service door or other applications
- Two mountings available:
 - Front surface mounting
 - Concealed mounting
- High strength, corrosion-resistant alloy

DENT
DESIGN HARDWARE

1-800-598-DENT
www.dent-mfg.com

Fax: 610-262-1870
sales@dent-mfg.com

D-110 Door Pull Handle



SPECIFICATIONS

Overall Length: 7-1/8"

Material: Aluminum

Finishes: Polished Aluminum
Brushed Aluminum
*Other finishes available

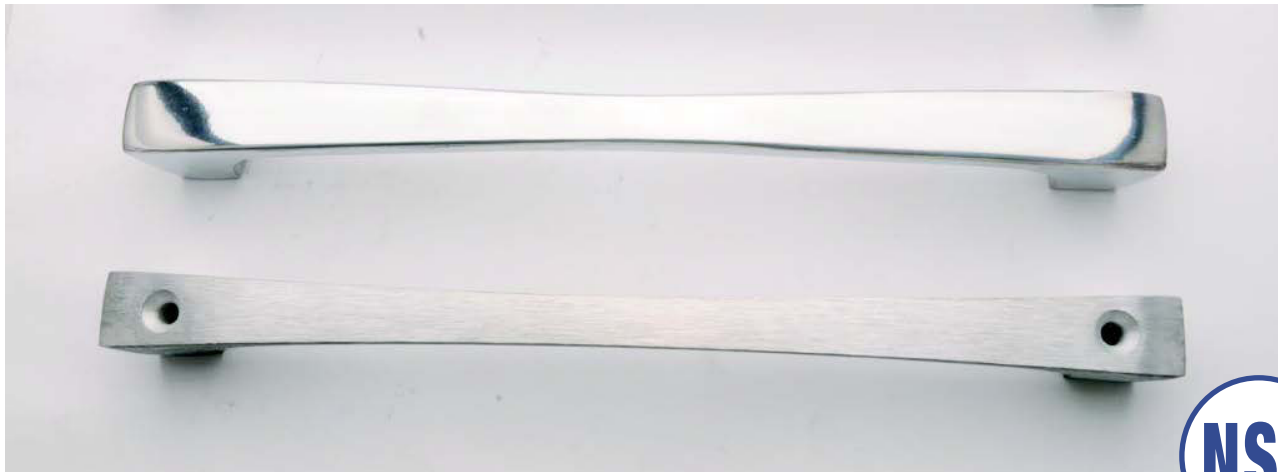
Front Mount: 1/4" Hole, 82° Countersunk

Concealed Mount: Drilled and tapped for 1/4" - 20 Screw

Shipping Weight: Aluminum 0.3 lbs / each

Note: Specify front or concealed mounting.

D-141 Large Door Pull Handle



PULL HANDLES

FEATURES

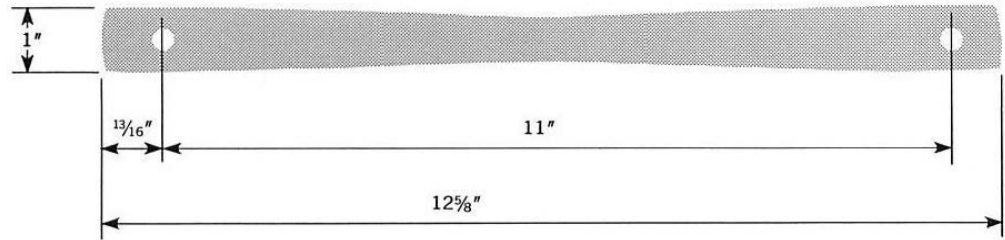
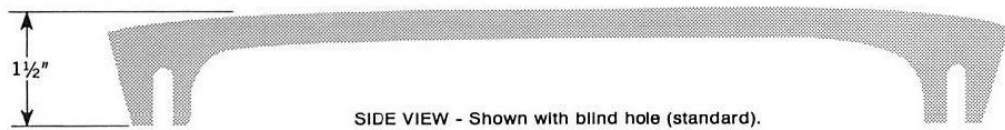
- Ideal for commercial refrigerators and freezer applications
- Two mountings available:
 - Front surface mounting
 - Concealed mounting
- Rugged design
- Custom finishes available
- High strength, corrosion-resistant alloy

DENT
DESIGN HARDWARE

1-800-598-DENT
www.dent-mfg.com

Fax: 610-262-1870
sales@dent-mfg.com

D-141 Large Door Pull Handle



SPECIFICATIONS

Overall Length: 12-5/8"

Material: Aluminum

Finishes: Polished Aluminum
Brushed Aluminum
Endurakote Nylon

Screw Holes: Front Mount—1/4" Hole, 82° Countersunk,
Concealed Mount—Drilled and tapped for 1/4" - 20 Screw

Shipping Weight: Aluminum 0.7 lbs / each

Note: Specify offset front or concealed mounting.

D-170 Drawer and Door Pull Handle



PULL HANDLES

FEATURES

- Ideal for service door or other applications
- Full hand grip
- High strength, corrosion-resistant alloy

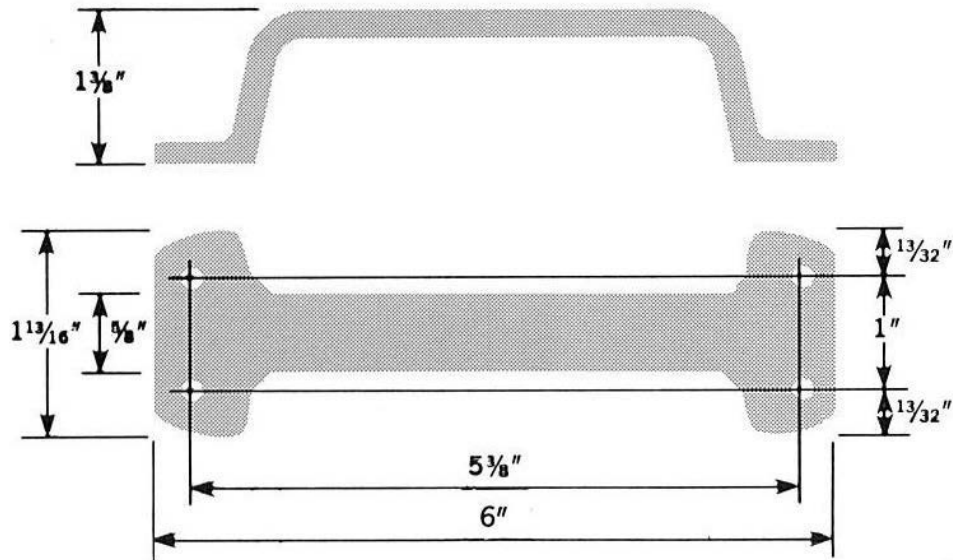
DENT
DESIGN HARDWARE

1-800-598-DENT
www.dent-mfg.com

Fax: 610-262-1870
sales@dent-mfg.com

D-170 Drawer and Door Pull Handle

PULL HANDLES



SPECIFICATIONS

Overall Length: 6"

Material: Aluminum

Finishes: Polished Aluminum
Brushed Aluminum
*Other finishes available

Screw Holes: No. 10 Screw

Shipping Weight: Aluminum 0.16 lbs / each

DENT
DESIGN HARDWARE

1-800-598-DENT
www.dent-mfg.com

Fax: 610-262-1870
sales@dent-mfg.com

D-175 Pull Handle



PULL HANDLES

FEATURES

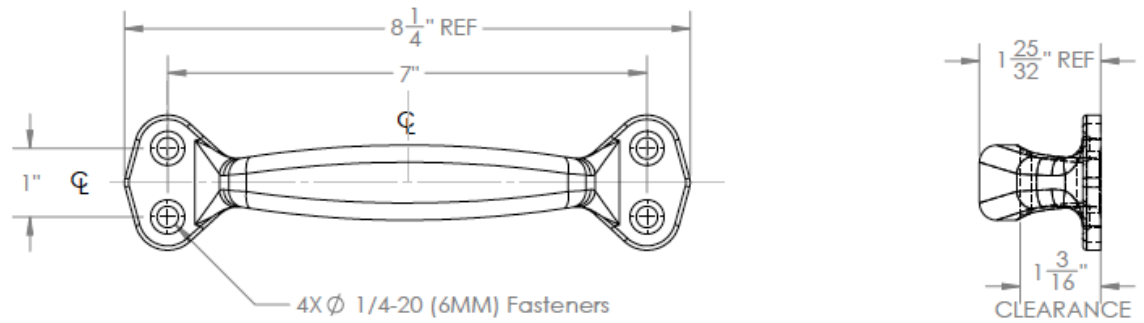
- No cracks or crevasses - food safe!
- Perfect for magnetic door walk-in refrigerators, freezers and sliding doors
- Easy-grab pull - lots of clearance
- Mounts vertically or horizontally
- Popular finishes to choose from - mirror polish standard
- High strength, corrosion-resistant stainless steel 316
- Only solid, food safe stainless steel handle on the market

DENT
DESIGN HARDWARE

1-800-598-DENT
www.dent-mfg.com

Fax: 610-262-1870
sales@dent-mfg.com

D-175 Pull Handle



SPECIFICATIONS

Overall Length: 8 1/4"

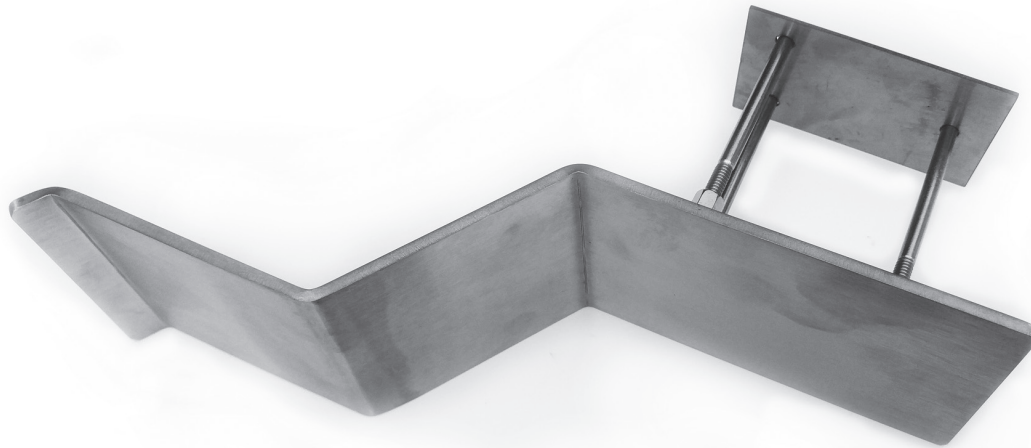
Material: Stainless Steel 316

Finishes: Mirror Polished Stainless Steel
 Brushed Stainless Steel
 *Other finishes available

Screw Holes: 1/4" or 6mm, 82° countersink

Shipping Weight: Stainless steel 1.2 lbs each

D-182 Pull Handle



PULL HANDLES

FEATURES

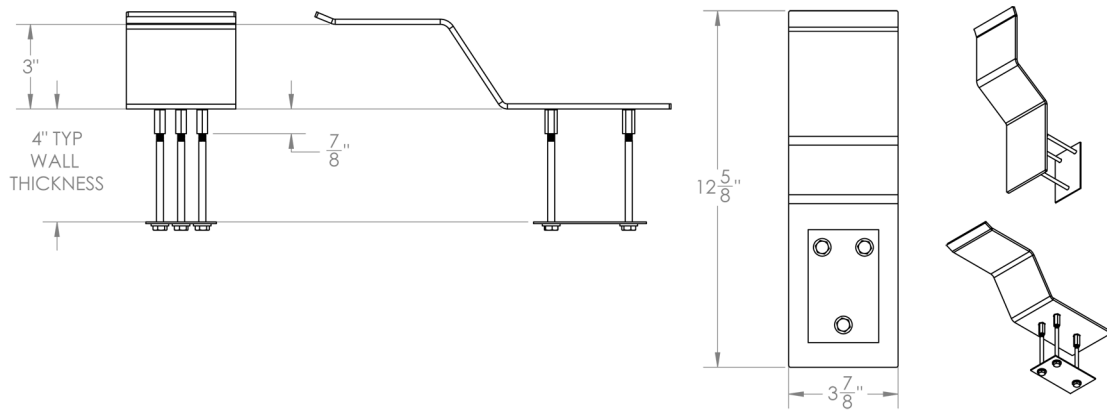
- Reasonable Accommodation for ADA compliance - no fingers needed
- Easy-grab pull with wrist or forearm - lots of clearance
- Use for cleanrooms where hands or gloves must not contact handle
- Perfect for magnetic door walk-in refrigerators, freezers and sliding doors
- Typical vertical mounting for swing doors
- Typical horizontal mounting for sliding doors
- High strength, corrosion-resistant stainless steel 316
- No cracks or crevasses - food safe!
- Only stainless steel pull handle like it on the market

DENT
DESIGN HARDWARE

1-800-598-DENT
www.dent-mfg.com

Fax: 610-262-1870
sales@dent-mfg.com

D-182 Pull Handle



SPECIFICATIONS

Overall Length: 10 5/8"

Overall Width: 3"

Handle Clearance: 3"

Material: Stainless Steel 304

Finishes: Brushed Stainless Steel Standard

*Other finishes available

Screw Holes: 1/4" or 6mm

Shipping Weight: Stainless steel 2.2 lbs each

D-300 Slim Line Pull Handle



PULL HANDLES

FEATURES

- Attractive, slim line design
- Concealed hole mounting
- Ideal for commercial refrigerators and freezer applications
- Custom finishes available
- High strength, corrosion-resistant alloy

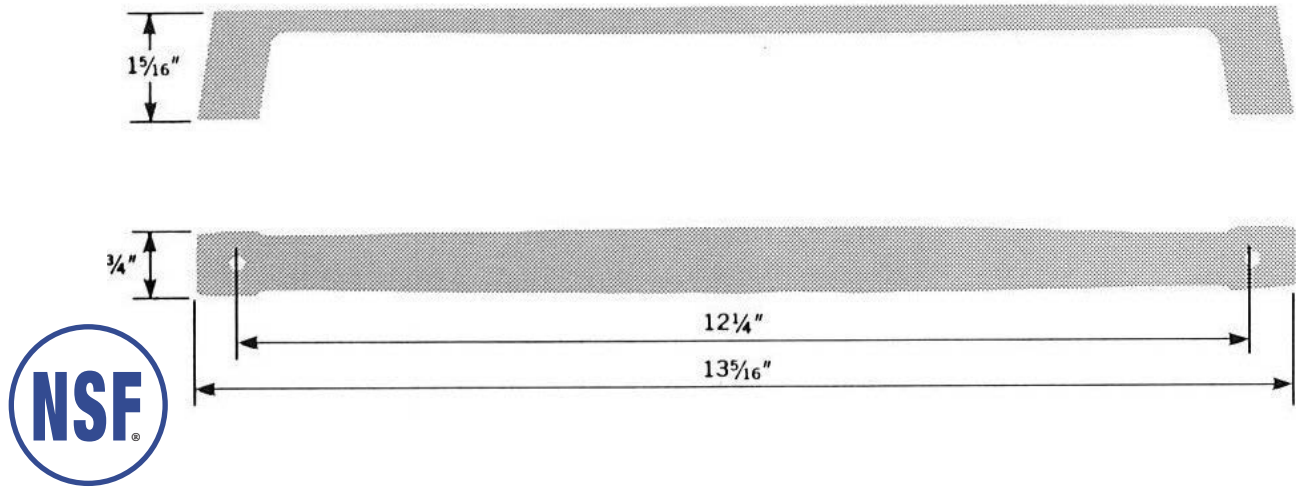
DENT
DESIGN HARDWARE

1-800-598-DENT
www.dent-mfg.com

Fax: 610-262-1870
sales@dent-mfg.com

D-300 Slim Line Pull Handle

PULL HANDLES



SPECIFICATIONS

Overall Length: $13\frac{5}{16}$ "

Material: Aluminum

Finishes: Polished Aluminum
Brushed Aluminum
Endurakote Nylon

Screw Holes: Drilled and tapped for $\frac{1}{4}$ " - 20 Screw
*Thru holes standard, blind holes optional

Shipping Weight: Aluminum 0.3 lbs / each

DENT
DESIGN HARDWARE

1-800-598-DENT
www.dent-mfg.com

Fax: 610-262-1870
sales@dent-mfg.com

D-400 Economical Door Pull Handle



PULL HANDLES

FEATURES

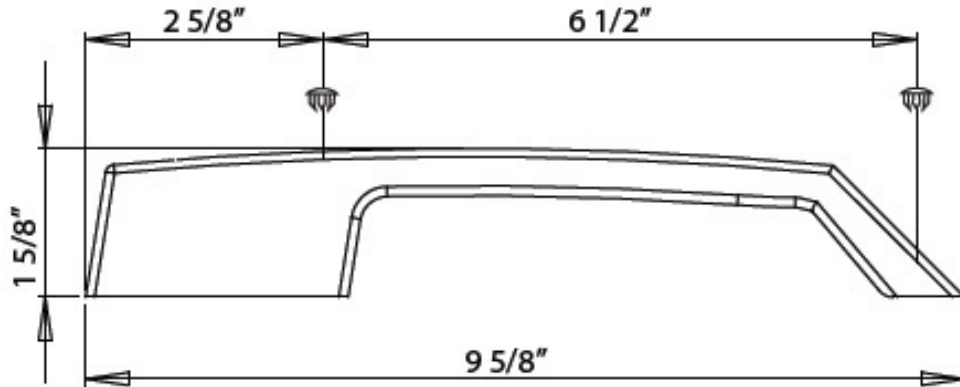
- Perfect for magnetic door walk-ins and freezers
- Easy-grab pull
- Mounts vertically or horizontally
- Popular finishes to choose from
- high strength, Corrosion-resistant alloy

DENT
DESIGN HARDWARE

1-800-598-DENT
www.dent-mfg.com

Fax: 610-262-1870
sales@dent-mfg.com

D-400 Economical Door Pull Handle



SPECIFICATIONS

Overall Length: 9-1/2"

Material: Aluminum

Finishes: Polished Aluminum
 Brushed Aluminum
 Endurakote Nylon
 *Other finishes available

Front Mount: 1/4" Hole, 82° Countersunk

Concealed Mount: Drilled and tapped for 1/4" - 20 Screw

Shipping Weight: Aluminum 0.7 lbs / each

D-23 Surface Mount Reach-In Latch



LATCHES

FEATURES

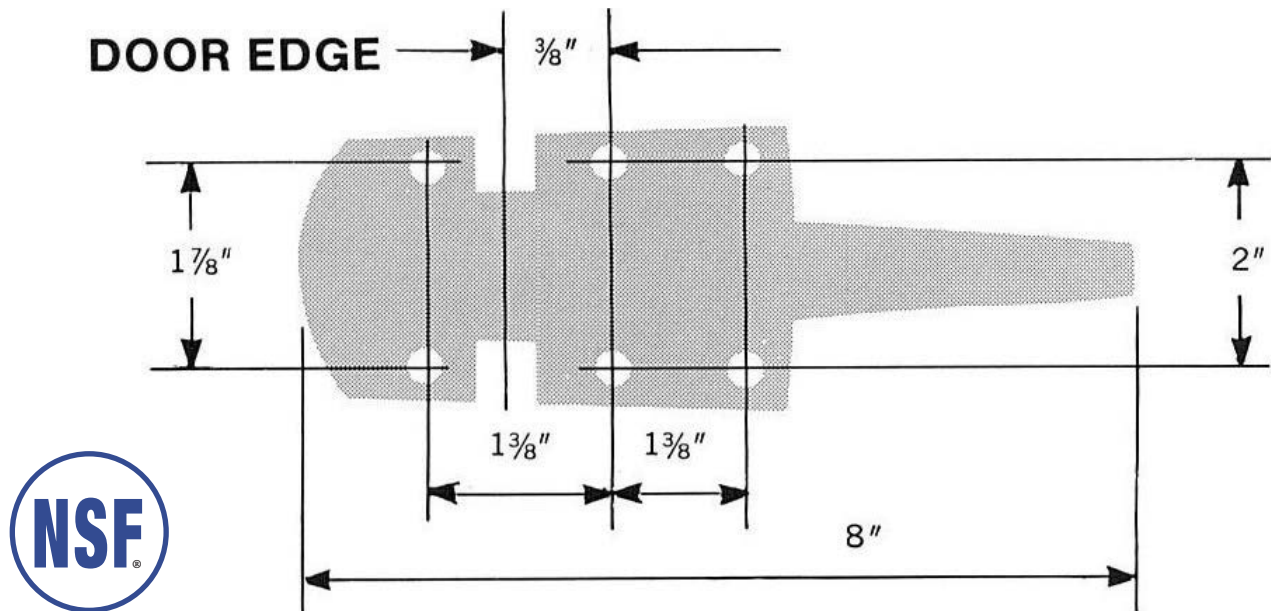
- Positive latching
- Fully interchangeable with all small latches used in last 60 years
- Padlocking provision, 3/8" diameter
- Adjustable offsets
- Wear-resistant
- Industry standard, 60 years

DENT
DESIGN HARDWARE

1-800-598-DENT
www.dent-mfg.com

Fax: 610-262-1870
sales@dent-mfg.com

D-23 Surface Mount Reach-In Latch



SPECIFICATIONS

Overall Length: 8"

Materials: Manganese Bronze
Aluminum

Finishes: Polished Chrome
Polished Aluminum
Endurakote Nylon
*Other finishes available

Offsets: Flush, 1", 1-1/8", 1-1/4", 1-3/8", 1-1/2", 1-5/8", 1-3/4"

Screw Holes: Drilled and Countersunk, No. 10 Screw

Shipping Weight: Bronze 2.2 lbs / each
Aluminum 0.7 lbs / each

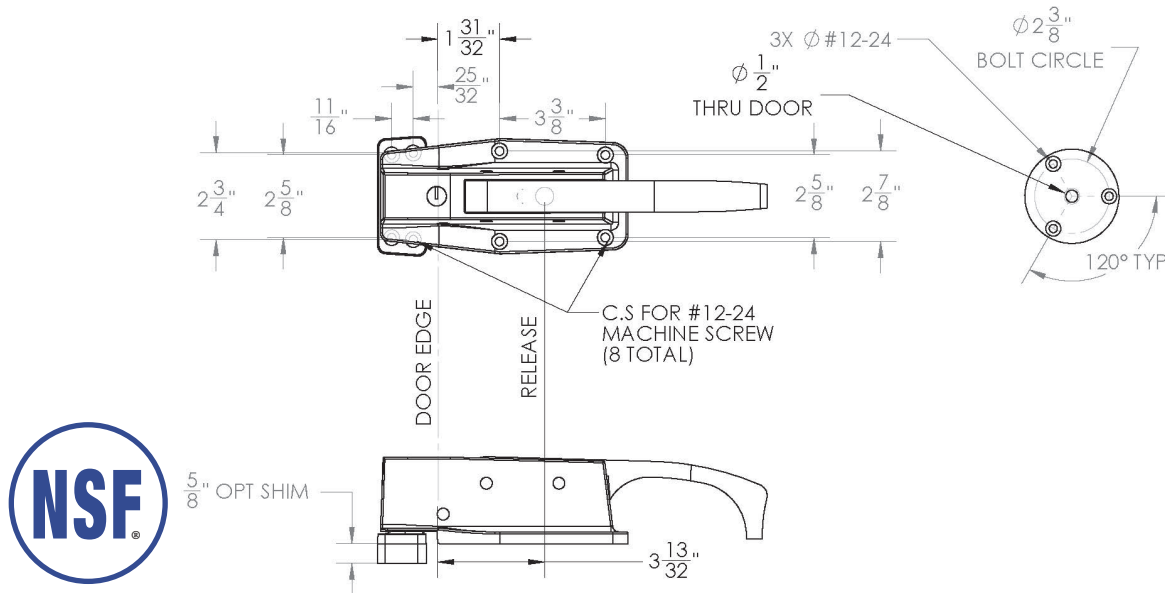
D-55 Safety Latch



FEATURES

- Complete assembly includes latches, strike, and safety releases
- Push-knob inside safety release assures instant access to outside when latched, key locked, padlocked, or both
- Long life operation, only 3 moving parts
- Easy opening and closing
- Available with keyed cylinder lock
- Padlocking provision, 3/8" diameter
- High strength, corrosion-resistant alloy
- Stainless Steel internal moving parts
- Also available:
 - Light or heavy spring pressure
 - Inside safety release labels
 - Mounting template drawings
 - Interchangeable hole patterns

D-55 Safety Latch



SPECIFICATIONS

Overall Length: 12-5/8"

Materials: Aluminum

Finishes: Polished Aluminum
Brushed Aluminum
Cast Aluminum
Endurakote Nylon

Offsets: Flush, 5/8"
*Other offsets available (specify)

Screw Holes: 1/4" Hole, 82° Countersunk

Shipping Weight: Aluminum 3.5 lbs / each

Note: When ordering, specify with or without lock, flush or offset, finish, and door thickness.

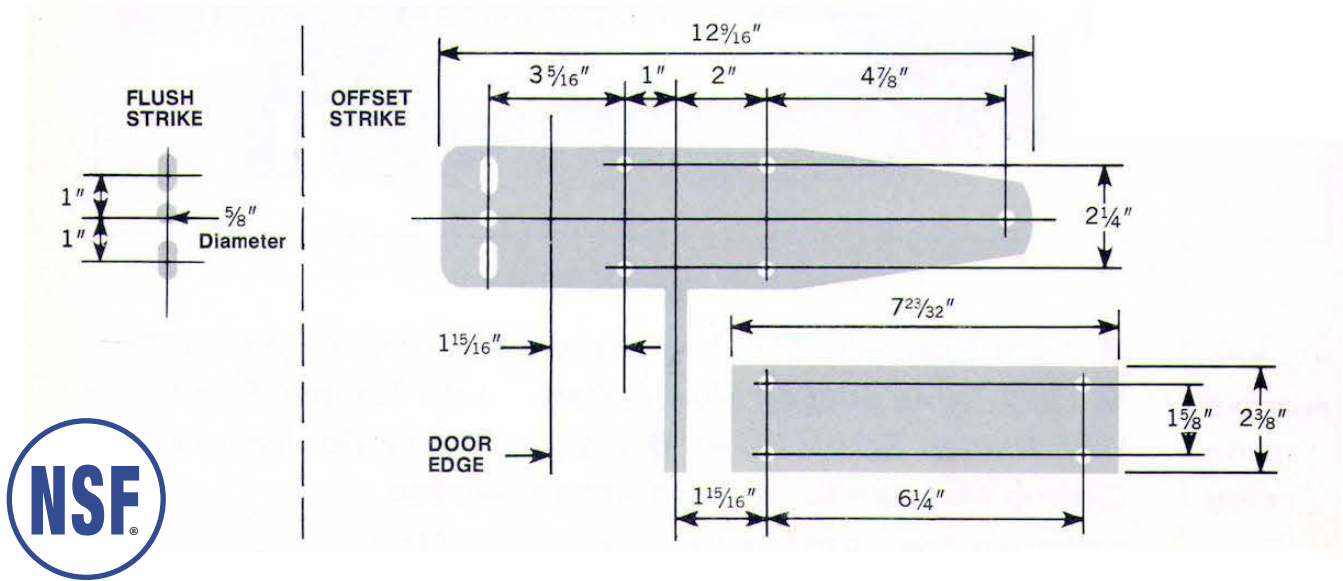
D-60 Positive Safety Latch



FEATURES

- Easy opening and closing, only 3 lbs. pull required
- Trouble-free operation, only 3 moving parts
- Tamperproof security feature, hidden rear mounting screw prevents latch removal
- Complete assembly, latch, strike, and release
- Available with keyed cylinder lock
- Padlocking provision, 3/8" diameter
- Safety release doubles as closing pull handle
- Gentle push safety release assures instant access to outside when latched, key locked or padlocked
- Adjustable strike, graduations 1/20" to compensate for gasket wear
- Unique strike design eliminates side thrust on door

D-60 Positive Safety Latch



SPECIFICATIONS

Overall Length: 12-9/16"

Material: Aluminum

Finishes: Polished Aluminum
Brushed Aluminum

Offsets: Flush, 1", 1-1/8", 1-1/4", 1-3/8", 1-1/2", 1-5/8", 1-3/4"
*Other offsets available (specify)

Screw Holes: 1/4" Hole, 82° Countersunk

Shipping Weight: Aluminum 4.3 lbs / each

D-112 Single Door Padlock Hasp



LATCHES

FEATURES

- Tamperproof—all screw holes concealed
- Optional safety release available
 - Specify D-112-K/D-83-SR and wall thickness
- Heavy reinforced Manganese Bronze and Stainless Steel construction
- Double door padlock hasp available
 - Specify D-113
- Reversible
- Theft deterrent

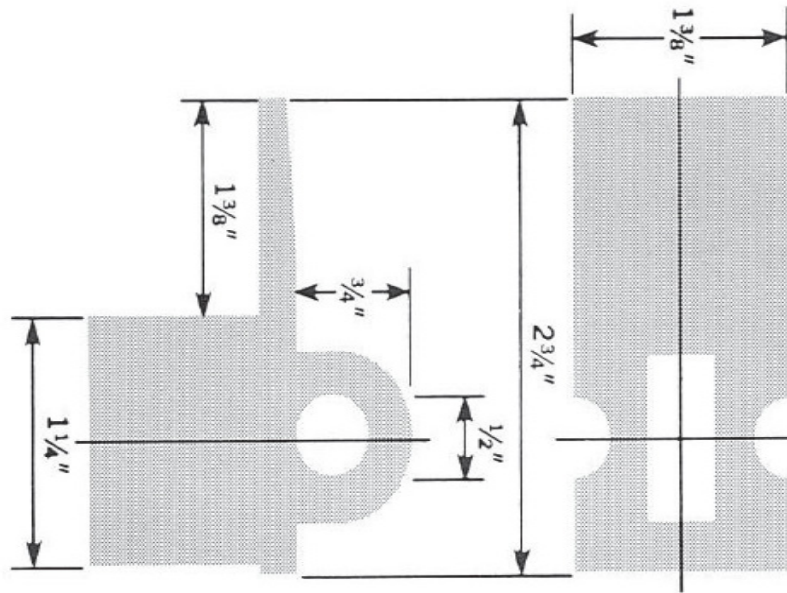
DENT
DESIGN HARDWARE

1-800-598-DENT
www.dent-mfg.com

Fax: 610-262-1870
sales@dent-mfg.com

D-112 Single Door Padlock Hasp

LATCHES



SPECIFICATIONS

Materials: Manganese Bronze
Stainless Steel

Finishes: Polished Chrome

Offsets: 1-1/4"
*Other offsets available

Screw Holes: Drilled and Countersunk No. 10 Screw

Shipping Weight: Bronze 0.5 lbs / each
Bronze (with release) 0.9 lbs / each

DENT
DESIGN HARDWARE

1-800-598-DENT
www.dent-mfg.com

Fax: 610-262-1870
sales@dent-mfg.com

D-150 Heavy Duty Locking Bar Assembly

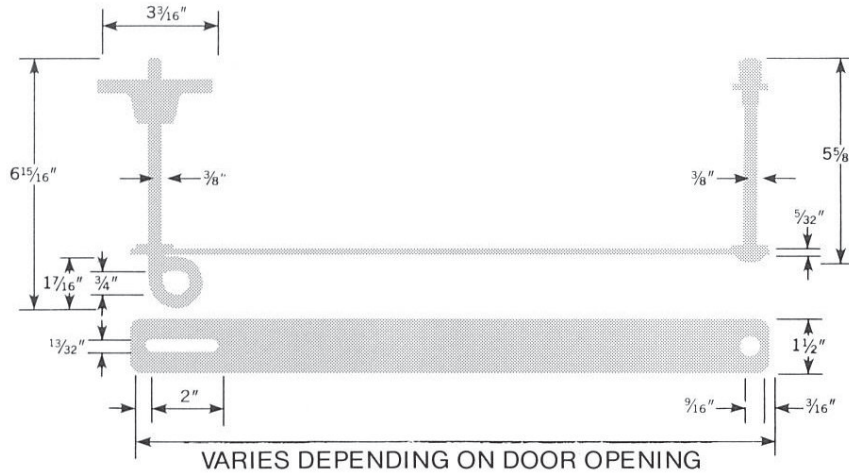


FEATURES

- Tamperproof security
- Protects valuable inventory
- Stainless Steel lock bar—1-1/2" width x 3/16" thick
- 3/8" diameter chrome plated carbonized padlock, anchor bolt, and security bolt
- Inside safety release knob
- Door openings—34", other openings available
- Reversible

D-150 Heavy Duty Locking Bar Assembly

LATCHES



SPECIFICATIONS

Material: Stainless Steel

Finish: Brushed Stainless Steel

Offsets: Flush

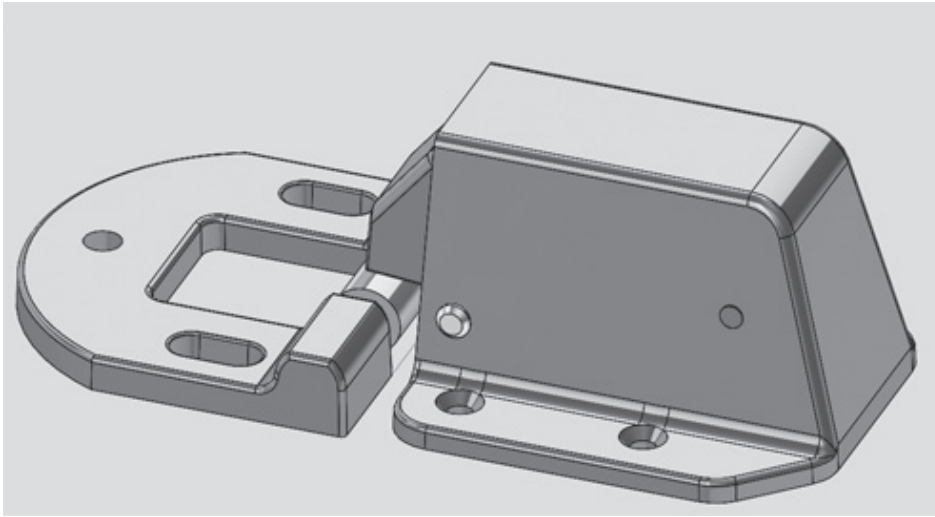
Shipping Weight: Stainless Steel 4.0 lbs / each

DENT
DESIGN HARDWARE

1-800-598-DENT
www.dent-mfg.com

Fax: 610-262-1870
sales@dent-mfg.com

D-199 Pressure Latch



LATCHES

FEATURES

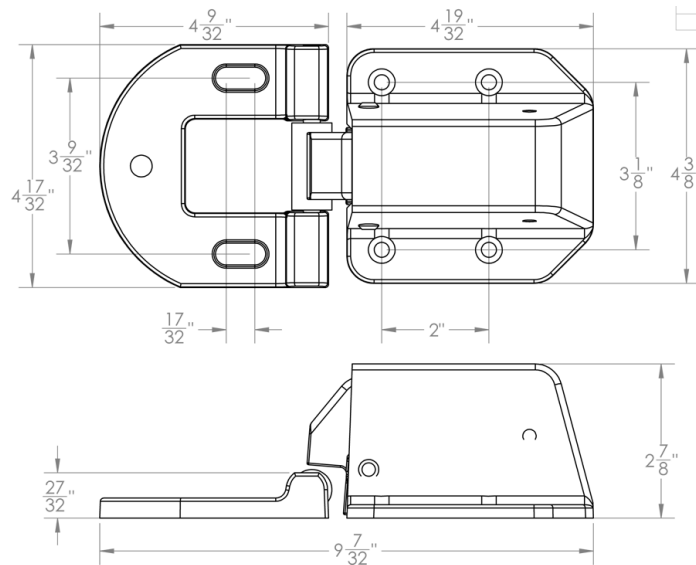
- Tamperproof security
- Protects valuable inventory
- Stainless Steel lock bar—1-1/2" width x 3/16" thick
- 3/8" diameter chrome plated carbonized padlock, anchor bolt, and security bolt
- Inside safety release knob
- Door openings—34", other openings available
- Reversible

DENT
DESIGN HARDWARE

1-800-598-DENT
www.dent-mfg.com

Fax: 610-262-1870
sales@dent-mfg.com

D-199 Pressure Latch



SPECIFICATIONS

Material: Stainless Steel

Finish: Brushed Stainless Steel

Offsets: Flush

Shipping Weight: Stainless Steel 4.0 lbs / each

D-252 Stainless Steel Locking Bar Assembly



LATCHES

FEATURES

- Heavy duty 3/16" thick Stainless Steel construction
- Ultimate security blind hole mounting
- Inside safety release with glow-in-the-dark knob
- Padlock provision 5/16" or 3/8" diameter
- Reversible for right or left hand swing doors
- Includes inside door wear guard plate
- Corrosion-resistant
- Now available with:
 - Sliding door option
 - Security release option

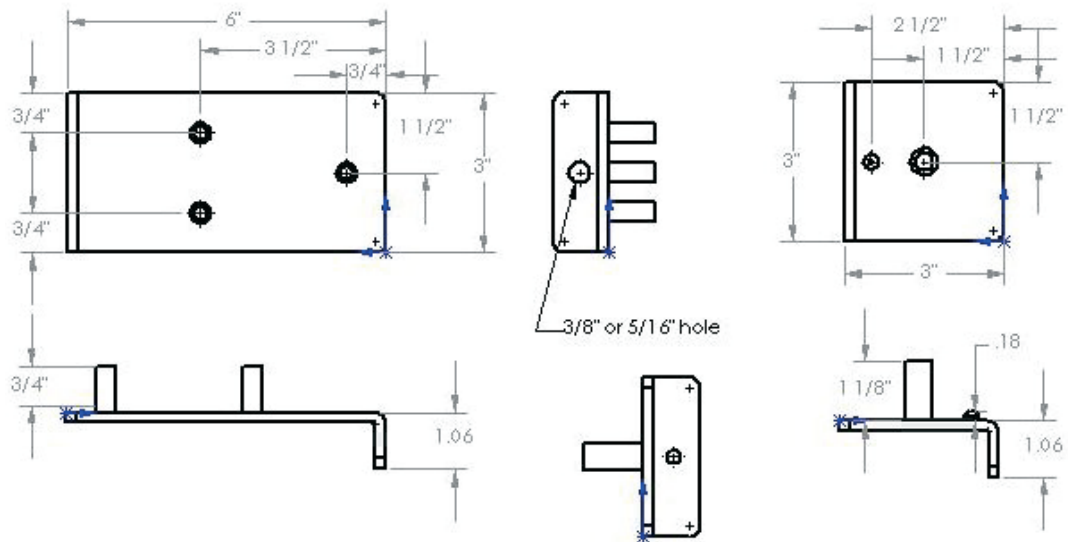
DENT
DESIGN HARDWARE

1-800-598-DENT
www.dent-mfg.com

Fax: 610-262-1870
sales@dent-mfg.com

D-252 Stainless Steel Locking Bar Assembly

LATCHES



SPECIFICATIONS

Overall Length: 9"

Material: 300 Stainless Steel

Finish: Brushed Stainless Steel

Offsets: Flush or Offset

Shipping Weight: Stainless Steel 2.3 lbs / each

Note: Specify wall thickness

DENT
DESIGN HARDWARE

1-800-598-DENT
www.dent-mfg.com

Fax: 610-262-1870
sales@dent-mfg.com

D-380 Positive Safety Latch



LATCHES

FEATURES

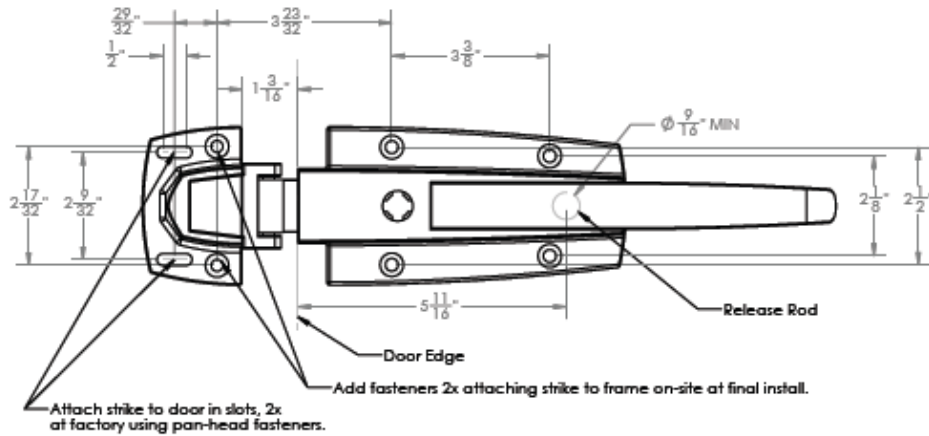
- Kason 56 and CHG W-38 hole compatible latch and strike
- Strike slots for on-site adjustment
- Ergonomic, non-rusting handle
- Available with keyed cylinder lock
- Padlocking provision, 3/8" diameter
- Gentle push-safety release assures instant access to outside when latched, keylocked, or padlocked
- Glow-in-the-dark safety release is standard
- Fully adjustable strike, graduations 1/32"
- Freezer and stainless steel releases available for standard or custom doors
- Works with D-70 bump bar for hands-free exit

DENT
DESIGN HARDWARE

1-800-598-DENT
www.dent-mfg.com

Fax: 610-262-1870
sales@dent-mfg.com

D-380 Positive Safety Latch



SPECIFICATIONS

Overall Length: 12-9/16"

Materials: Aluminum
Zinc
Stainless Steel ***soon

Finishes: Polished or Brushed Aluminum
Nylon Powdercoat - White standard, other colors available
Polished Chrome

Offsets: Flush, 3/4" - 1-3/4"

Screw Holes: 1/4" Hole, 82° Countersunk

Shipping Weight: Aluminum 2 lbs / Zinc 4.8 lbs (Latch and Strike)

Push Knob Release available in 100% Stainless Steel construction, freezer option.
Standard 9" or custom cut to length releases

All Releases include Glow-In-Dark feature

D-5104B Door Hold Back Latch



LATCHES

FEATURES

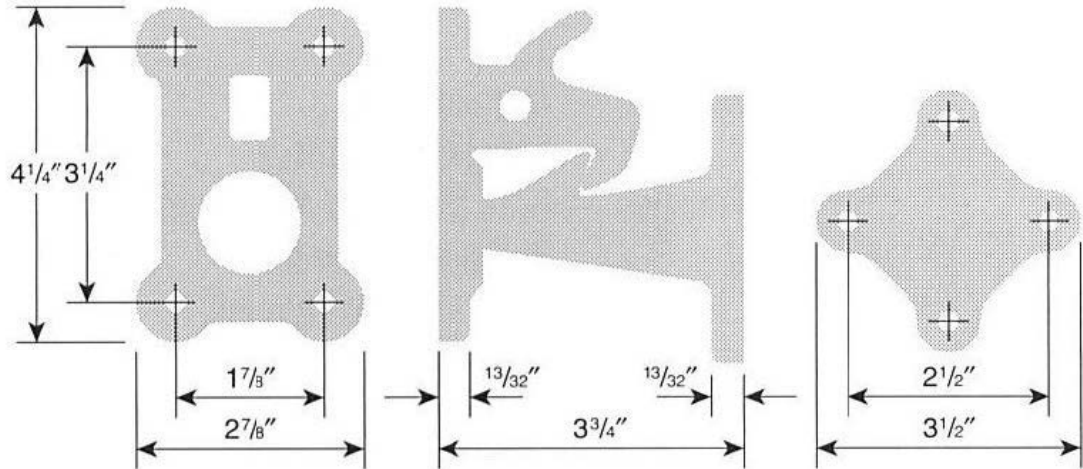
- Holds door in open position until released
- Ideal for shipboard, walk-in, and cold storage door use
- Heavy duty Manganese Bronze construction
- Includes heavy duty, impact-absorbing bumper

DENT
DESIGN HARDWARE

1-800-598-DENT
www.dent-mfg.com

Fax: 610-262-1870
sales@dent-mfg.com

D-5104B Door Hold Back Latch



SPECIFICATIONS

Material: Manganese Bronze

Finishes: Brushed Chrome
Cast Chrome

Screw Holes: $\frac{1}{4}''$ Hole, 82° Countersunk

Shipping Weight: Bronze 3.75 lbs / each

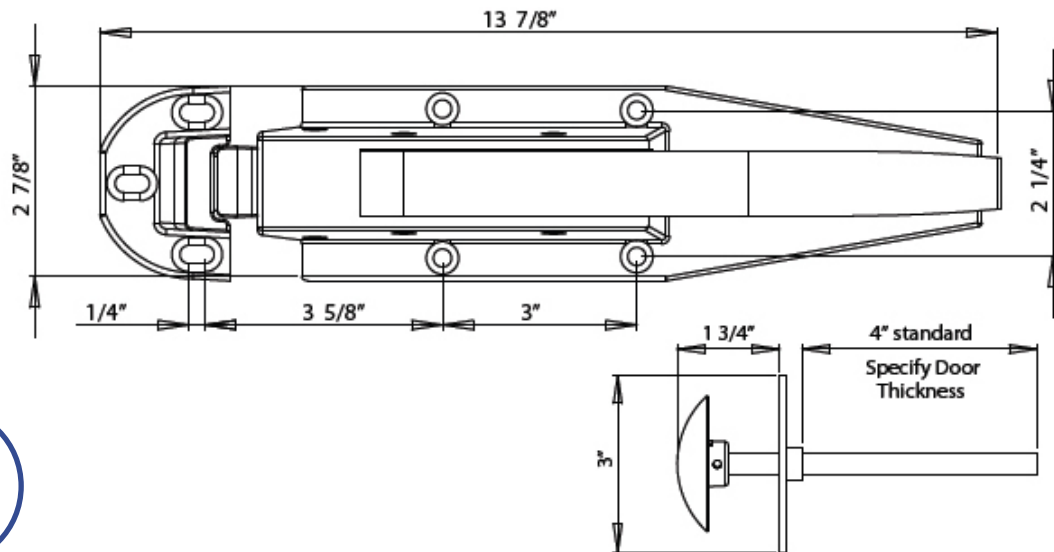
D-600 Positive Safety Latch



FEATURES

- Securely closes and will not break if slammed shut - even when already locked.
- Easy opening and closing, only 3 lbs pull required
- Trouble-free operation, only 3 moving parts
- Available with keyed cylinder lock
- Padlocking provision, 3/8" diameter
- Compatible with all standard push-safety releases that assures instant access to outside when latched, key-locked, or padlocked
- Works with D-70 bump bar for hands-free exit
- Fully adjustable strike, graduations 1/32"

D-600 Positive Safety Latch



SPECIFICATIONS

Overall Length: 12-9/16"

Material: Aluminum
Stainless Steel

Finishes: Polished Aluminum
Brushed Aluminum
Polished Stainless Steel

Offsets: Flush, 1", 1-1/8", 1-1/4", 1-3/8", 1-1/2", 1-5/8", 1-3/4"

Screw Holes: 1/4" Hole, 82° Countersunk

Shipping Weight: Aluminum 4.3 lbs / each

D-800 Wedge Type Padlocking Handle Lever



FEATURES

- Reversible
- Padlocking
- Wedges securely
- For service door and other applications
- High strength, corrosion-resistant alloy

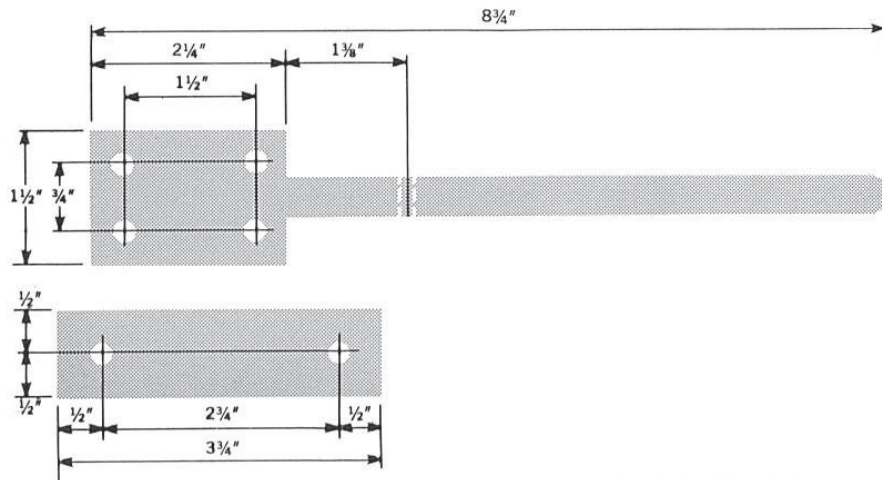
DENT
DESIGN HARDWARE

1-800-598-DENT
www.dent-mfg.com

Fax: 610-262-1870
sales@dent-mfg.com

D-800 Wedge Type Padlocking Handle Lever

LATCHES



SPECIFICATIONS

Overall Length: 8-3/4"

Material: Aluminum

Finishes: Polished Aluminum
Brushed Aluminum
*Other finishes available

Offsets: Flush

Screw Holes: 1/4" Hole, 82° Countersunk

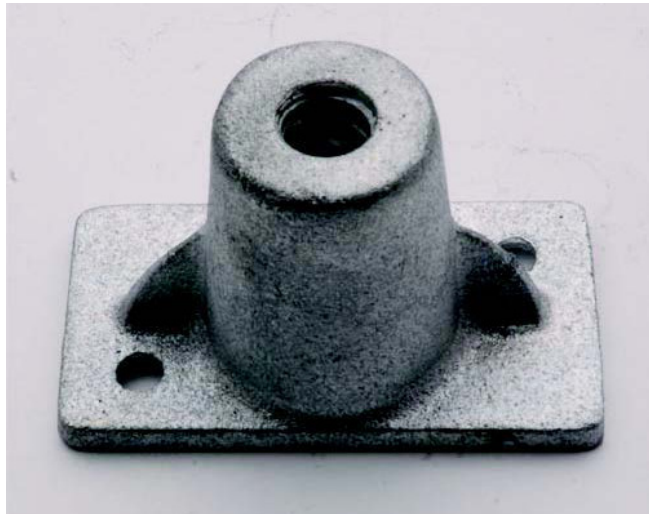
Shipping Weight: Aluminum 0.7 lbs / each

DENT
DESIGN HARDWARE

1-800-598-DENT
www.dent-mfg.com

Fax: 610-262-1870
sales@dent-mfg.com

D-17 Connecting Pod for Sectional Coolers



FEATURES

- Rugged
- Simple joiner for sectional coolers
- Drilled and tapped for 1/2" or 3/8" lag screw
- High strength, corrosion-resistant alloy

TRAPS, VENTILATORS & MISC.

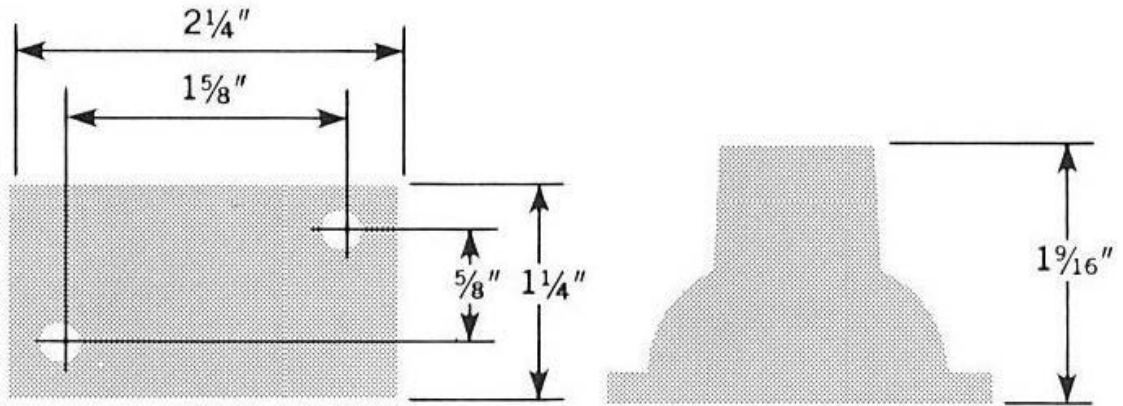
DENT
DESIGN HARDWARE

1-800-598-DENT
www.dent-mfg.com

Fax: 610-262-1870
sales@dent-mfg.com

D-17 Connecting Pod for Sectional Coolers

TRAPS, VENTILATORS & MISC.



SPECIFICATIONS

Material: Aluminum

Finish: Cast Aluminum

Screw Holes: Drilled and Tapped 1/2" or 3/8" Lag Screw

Shipping Weight: Aluminum 10 lbs / 100 pieces

DENT
DESIGN HARDWARE

1-800-598-DENT
www.dent-mfg.com

Fax: 610-262-1870
sales@dent-mfg.com

D-18, D-28 Elbow Drain Traps



FEATURES

- Long-wearing
- Corrosion-resistant Aluminum alloy
- Includes drain trap, ring, and screen
- Neoprene gasket for an extra tight seal
- 3/4" elbow—specify D-18
- 1" elbow—specify D-28
- No screws or brazing needed
- Threaded drain trap screws into place for tight seal
- Designed for minimum dimension between top and bottom pans

DENT
DESIGN HARDWARE

1-800-598-DENT
www.dent-mfg.com

Fax: 610-262-1870
sales@dent-mfg.com

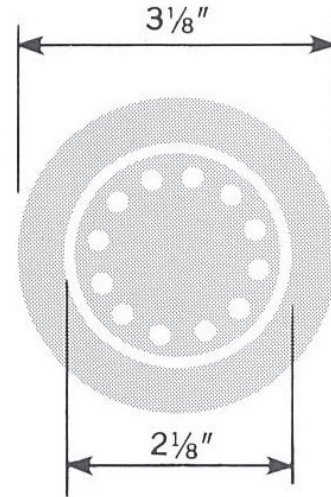
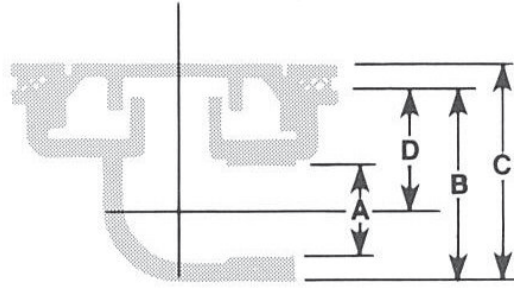
TRAPS, VENTILATORS & MISC.

D-18, D-28 Elbow Drain Traps

TRAPS, VENTILATORS & MISC.



TRAP	A NPT	B	C	D
D-18	3/4"	1 7/8"	2 1/8"	1 1/8"
D-28	1"	2 3/16"	2 7/16"	1 3/8"



SPECIFICATIONS

Material: Aluminum

Finish: Cast Aluminum

Shipping Weight: Aluminum 0.37 lbs / each

DENT
DESIGN HARDWARE

1-800-598-DENT
www.dent-mfg.com

Fax: 610-262-1870
sales@dent-mfg.com

D-19, D-29 Straight Drain Traps



FEATURES

- Long-wearing
- Corrosion-resistant Aluminum alloy
- Includes drain trap, ring, and screen
- Neoprene gasket for an extra tight seal
- 3/4" straight—specify D-19
- 1" straight—specify D-29
- No separate screws or brazing needed
- Threaded drain trap screws into place for tight seal
- Designed for minimum dimension between top and bottom pans
- Continuous drainage, no backup

DENT
DESIGN HARDWARE

1-800-598-DENT
www.dent-mfg.com

Fax: 610-262-1870
sales@dent-mfg.com

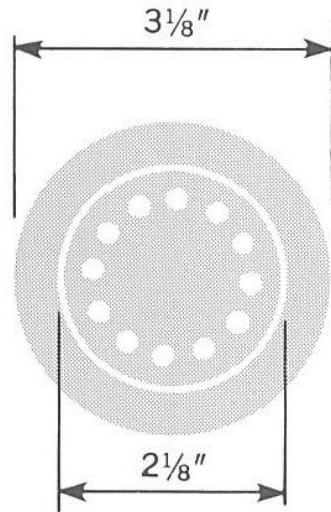
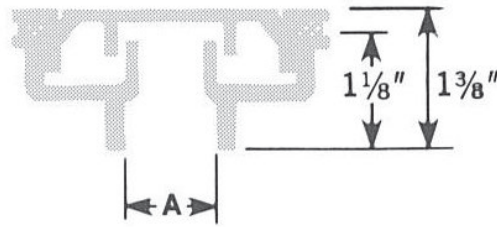
TRAPS, VENTILATORS & MISC.

D-19, D-29 Straight Drain Traps

TRAPS, VENTILATORS & MISC.



TRAP	ANPT
D-19	3/4"
D-29	1"



SPECIFICATIONS

Material: Aluminum

Finish: Cast Aluminum

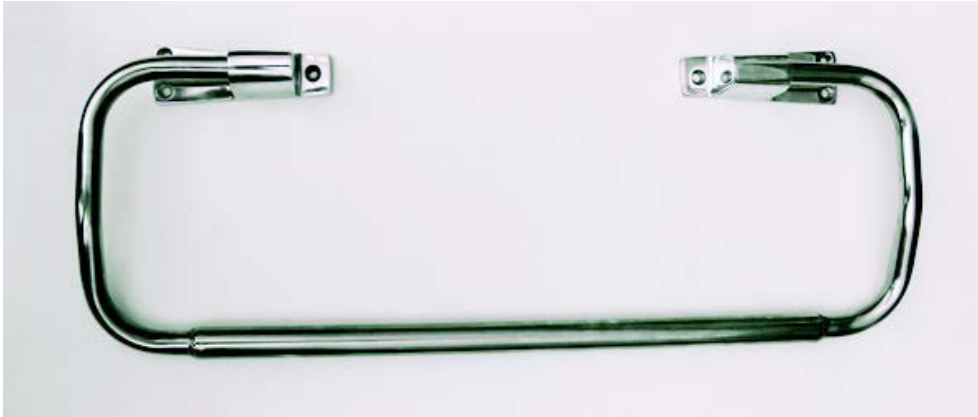
Shipping Weight: Aluminum 0.3 lbs / each

DENT
DESIGN HARDWARE

1-800-598-DENT
www.dent-mfg.com

Fax: 610-262-1870
sales@dent-mfg.com

D-70 Bump Bar—Inside Release Accessory



TRAPS, VENTILATORS & MISC.

FEATURES

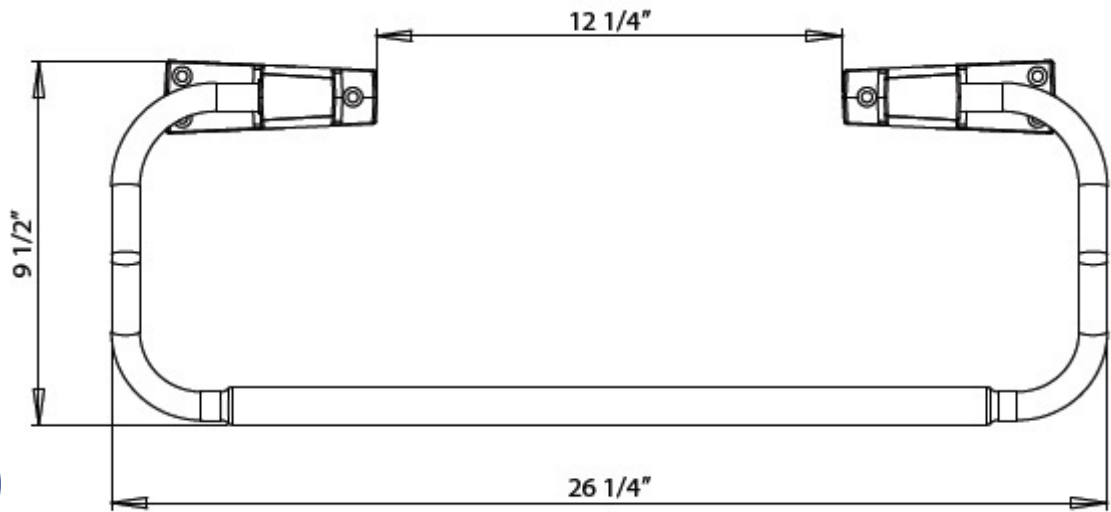
- Designed for hands-free opening of latching doors from inside of enclosure
- Works with all push-knob and push-style inside release mechanisms
- No Chrome-plating or Zinc content for food safety
- Smooth, easily cleaned surfaces
- High strength, corrosion-resistant alloys

DENT
DESIGN HARDWARE

1-800-598-DENT
www.dent-mfg.com

Fax: 610-262-1870
sales@dent-mfg.com

D-70 Bump Bar—Inside Release Accessory



SPECIFICATIONS

Overall Length: 26"

Materials: Stainless Steel Bar
 Aluminum pivot bases standard
 *Complete Stainless Steel construction also available

Finishes: Polished Aluminum
 Brushed Aluminum

Screw Holes: 1/4 - 20" Hole

Shipping Weight: Stainless Steel bar & Aluminum pivots 3.20 lbs / each

D-80 Adjustable Ventilator



FEATURES

- Threaded, manually adjustable
- High strength, corrosion-resistant alloy

TRAPS, VENTILATORS & MISC.

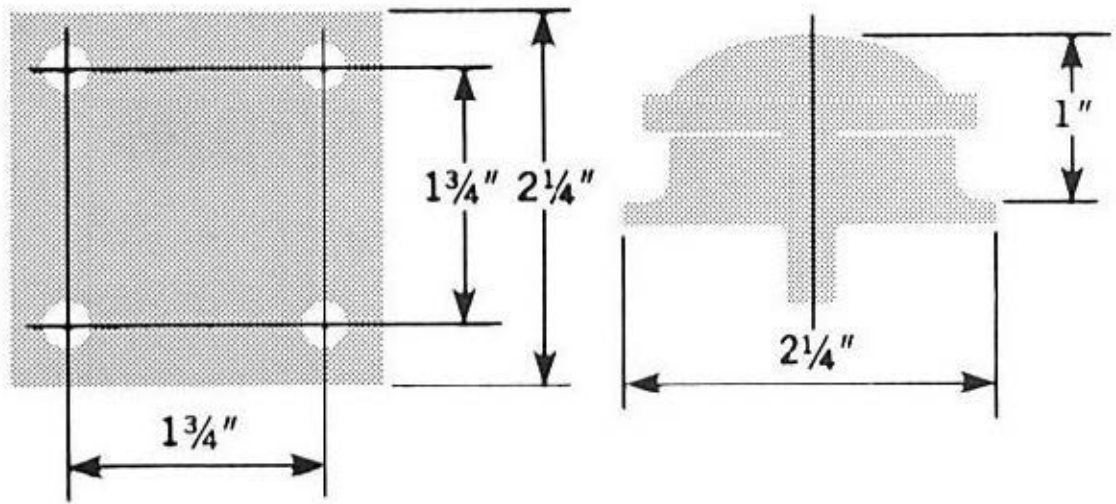
DENT
DESIGN HARDWARE

1-800-598-DENT
www.dent-mfg.com

Fax: 610-262-1870
sales@dent-mfg.com

D-80 Adjustable Ventilator

TRAPS, VENTILATORS & MISC.



SPECIFICATIONS

Material: Aluminum

Finishes: Polished Aluminum
Cast Aluminum

Screw Holes: No. 10 Screw

Shipping Weight: Aluminum 0.2 lbs / each

DENT
DESIGN HARDWARE

1-800-598-DENT
www.dent-mfg.com

Fax: 610-262-1870
sales@dent-mfg.com

D-81 Gravity Ventilator



FEATURES

- Gravity opening, automatically adjusts
- High strength, corrosion-resistant alloy

TRAPS, VENTILATORS & MISC.

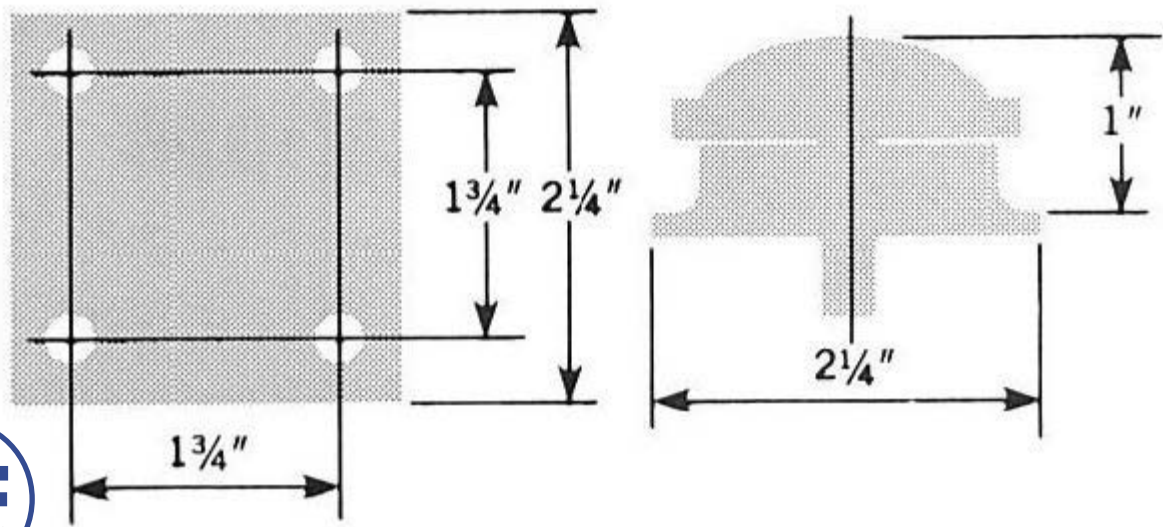
DENT
DESIGN HARDWARE

1-800-598-DENT
www.dent-mfg.com

Fax: 610-262-1870
sales@dent-mfg.com

D-81 Gravity Ventilator

TRAPS, VENTILATORS & MISC.



SPECIFICATIONS

Material: Aluminum

Finishes: Polished Aluminum
Cast Aluminum

Screw Holes: No. 10 or No. 12 Screw

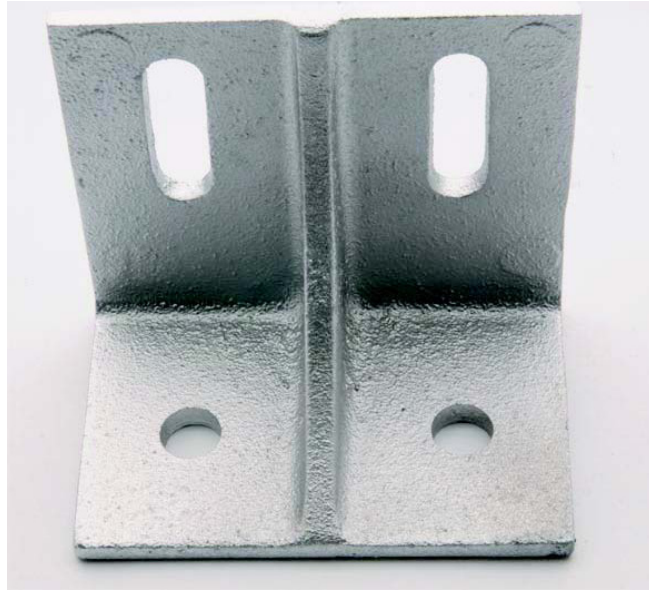
Shipping Weight: Aluminum 0.2 lbs / each

DENT
DESIGN HARDWARE

1-800-598-DENT
www.dent-mfg.com

Fax: 610-262-1870
sales@dent-mfg.com

D-101-4 4" Angle Floor Bracket



FEATURES

- Designed to effectively anchor cooler wall section to floor at door opening
- Rugged
- Lightweight design
- Reinforced design
- High strength, corrosion-resistant alloy

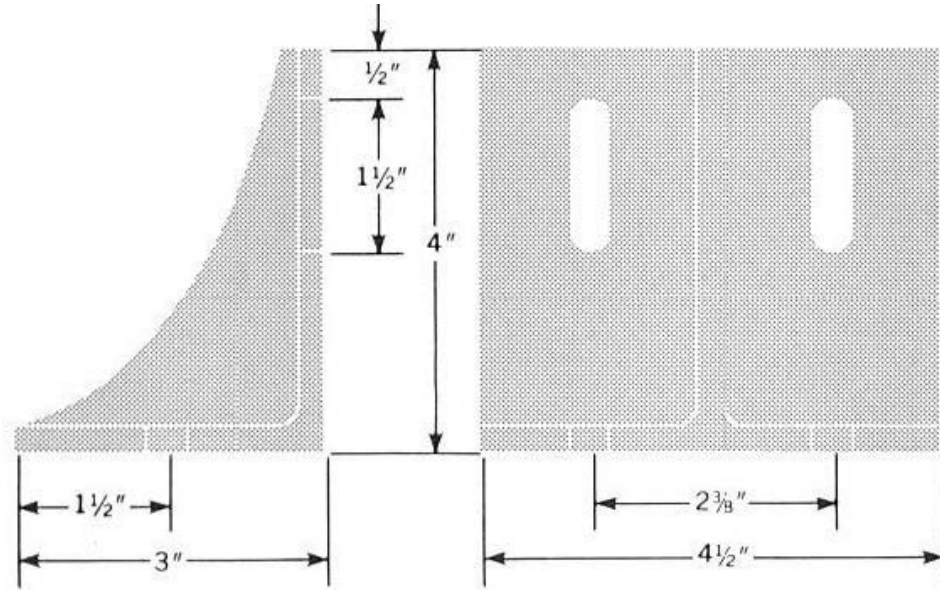
TRAPS, VENTILATORS & MISC.

DENT
DESIGN HARDWARE

1-800-598-DENT
www.dent-mfg.com

Fax: 610-262-1870
sales@dent-mfg.com

D-101-4 4" Angle Floor Bracket



SPECIFICATIONS

Overall Length: 4"

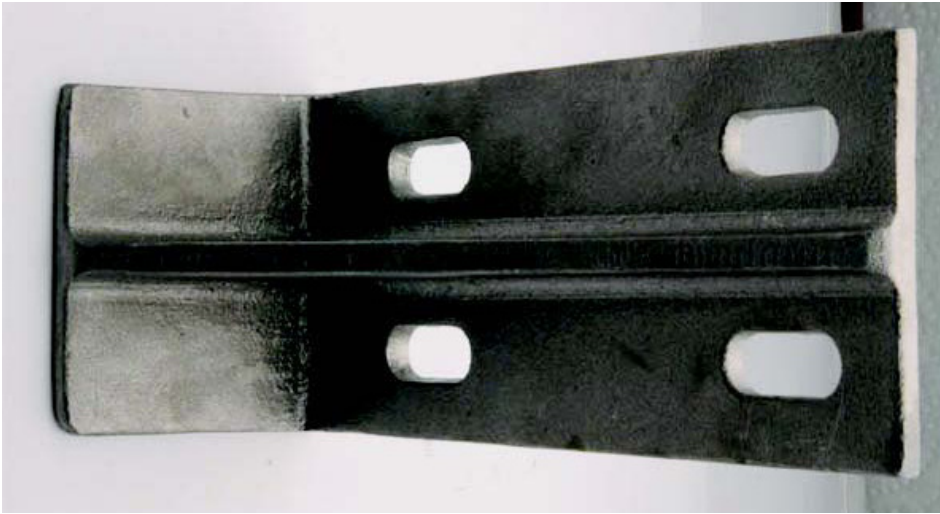
Material: Aluminum

Finish: Cast Aluminum

Screw Hole: 9/16" Hole

Shipping Weight: Aluminum 0.7 lbs / each

D-101-8 8" Angle Floor Bracket



FEATURES

- Designed to effectively anchor cooler wall section to floor at door opening
- Rugged
- Lightweight design
- Reinforced design
- High strength, corrosion-resistant alloy

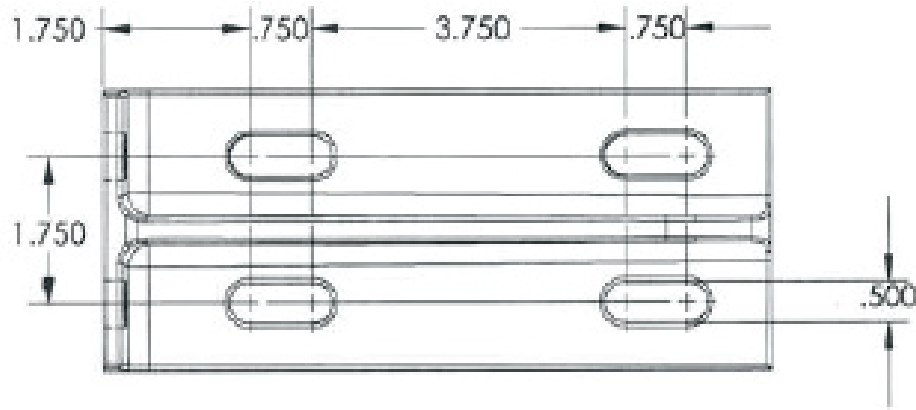
TRAPS, VENTILATORS & MISC.

DENT
DESIGN HARDWARE

1-800-598-DENT
www.dent-mfg.com

Fax: 610-262-1870
sales@dent-mfg.com

D-101-8 8" Angle Floor Bracket



SPECIFICATIONS

Overall Length: 8"

Material: Aluminum

Finish: Cast Aluminum

Screw Hole: 9/16" Hole

Shipping Weight: Aluminum 1.0 lbs / each

D-275 Heavy Duty Hydraulic Door Closer



FEATURES

- Smooth, silent closing action
- Prevents door from slamming
- Keeps door firmly closed and can re-close doors that pop open because of temperature-pressure build up
- Rugged, extra heavy gauge Steel construction
- Complete assembly includes fasteners and plastic cover

DENT
DESIGN HARDWARE

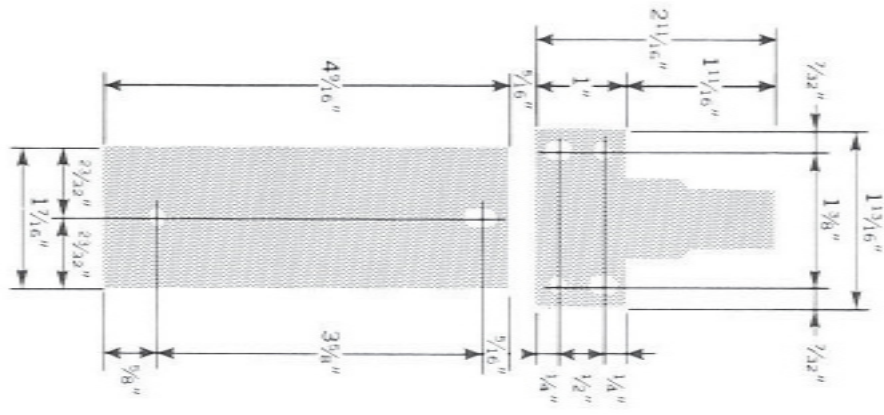
1-800-598-DENT
www.dent-mfg.com

Fax: 610-262-1870
sales@dent-mfg.com

TRAPS, VENTILATORS & MISC.

D-275 Heavy Duty Hydraulic Door Closer

TRAPS, VENTILATORS & MISC.



S P E C I F I C A T I O N S

Overall Length: 7-1/2"

Material: Stainless Steel

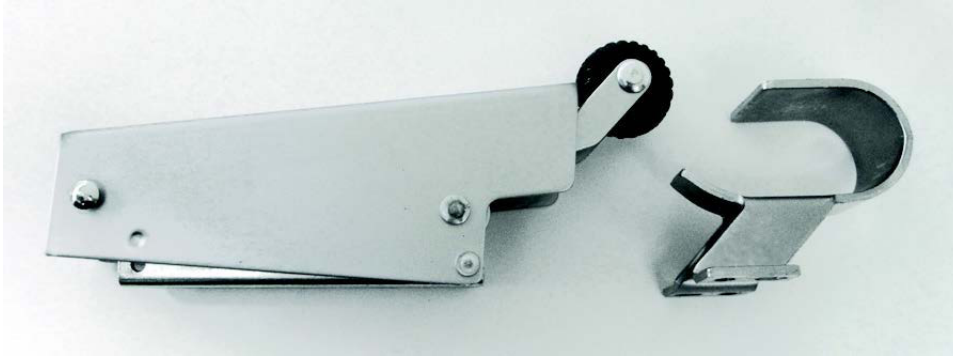
Finish: Polished Chrome

Offsets: Flush

Screw Holes: 3/16" Screw

Shipping Weight: Stainless Steel 1.75 lbs / each

D-276 Heavy Duty Hydraulic Door Closer



FEATURES

- Smooth, silent closing action
- Prevents door from slamming
- Keeps door firmly closed and can re-close doors that pop open because of temperature-pressure build up
- Rugged, extra heavy gauge Steel construction
- Complete assembly includes fasteners and metal cover

TRAPS, VENTILATORS & MISC.

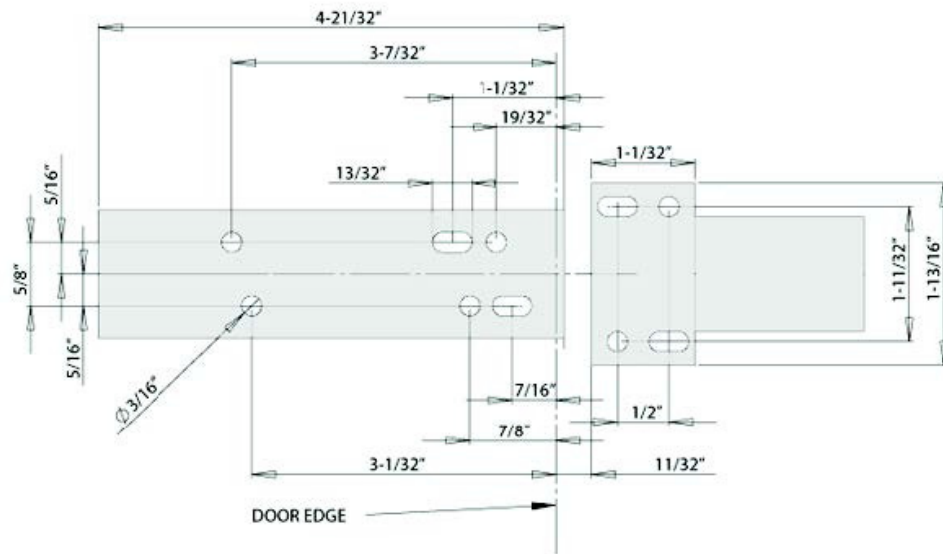
DENT
DESIGN HARDWARE

1-800-598-DENT
www.dent-mfg.com

Fax: 610-262-1870
sales@dent-mfg.com

D-276 Heavy Duty Hydraulic Door Closer

TRAPS, VENTILATORS & MISC.



SPECIFICATIONS

Overall Length: 7-1/2"

Material: Stainless Steel

Finish: Polished Chrome

Offsets: Flush and Offset

Screw Holes: 3/16" Screw

Shipping Weight: Stainless Steel 2 lbs / each

DENT
DESIGN HARDWARE

1-800-598-DENT
www.dent-mfg.com

Fax: 610-262-1870
sales@dent-mfg.com

D-277 Hydraulic Door Closer



FEATURES

- Smooth, silent closing action
- Prevents door from slamming
- Keeps door firmly closed and can re-close doors that pop open because of temperature-pressure build up
- Rugged, extra heavy gauge Steel construction

TRAPS, VENTILATORS & MISC.

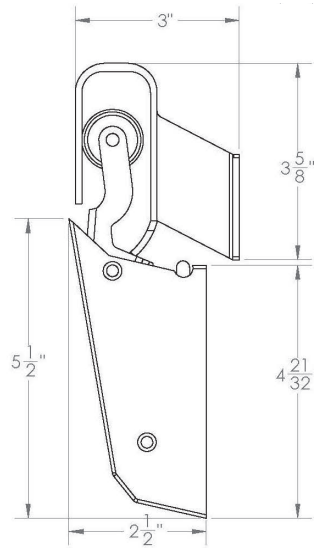
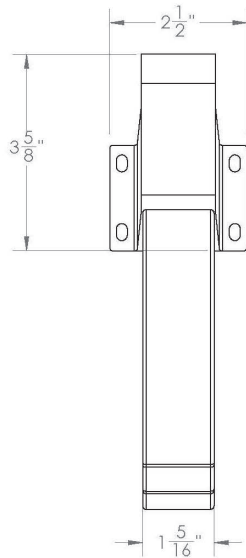
DENT
DESIGN HARDWARE

1-800-598-DENT
www.dent-mfg.com

Fax: 610-262-1870
sales@dent-mfg.com

D-277 Hydraulic Door Closer

TRAPS, VENTILATORS & MISC.



SPECIFICATIONS

Overall Length: Approximately 8"

Material: Chrome plated steel

Finish: Chrome

Offsets: Flush and Offset

Screw Holes: #8-32

Shipping Weight: 2 lbs.

DENT
DESIGN HARDWARE

1-800-598-DENT
www.dent-mfg.com

Fax: 610-262-1870
sales@dent-mfg.com

D-850 Heavy Duty Spring Door Closer



FEATURES

DISCONTINUED

- Smooth, silent closing action
- Prevents door from slamming
- Keeps door firmly closed and can re-close doors that pop open because of temperature-pressure build up
- Rugged, extra heavy gauge Steel construction
- Complete assembly includes fasteners and plastic cover

DENT
DESIGN HARDWARE

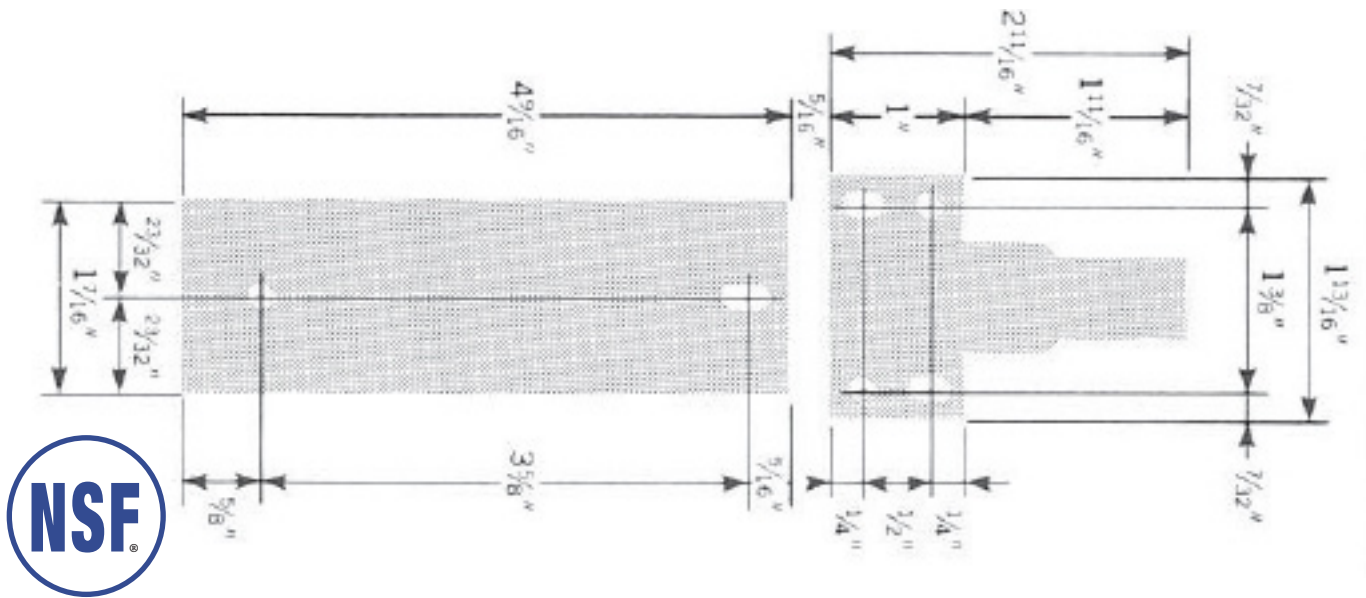
1-800-598-DENT
www.dent-mfg.com

Fax: 610-262-1870
sales@dent-mfg.com

TRAPS, VENTILATORS & MISC.

D-850 Heavy Duty Spring Door Closer

TRAPS, VENTILATORS & MISC.



SPECIFICATIONS

DISCONTINUED

Overall Length: Approximately 8"

Material: Chrome plated steel and plastic cover

Finish: Chrome

Offsets: Flush and Offset

Screw Holes: #8-32

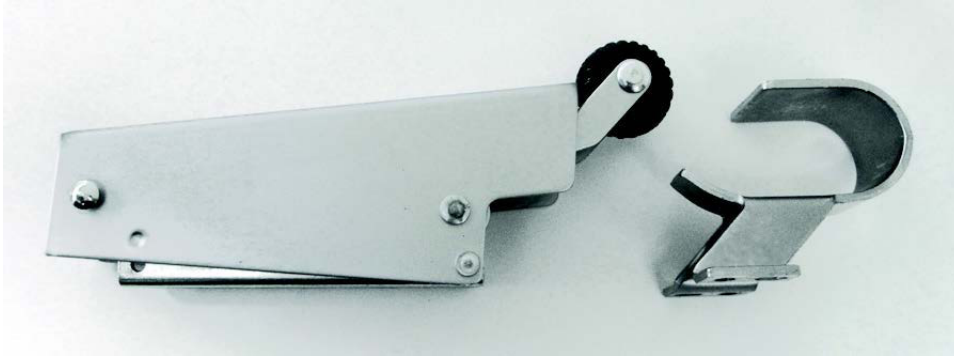
Shipping Weight: 2 lbs.

DENT
DESIGN HARDWARE

1-800-598-DENT
www.dent-mfg.com

Fax: 610-262-1870
sales@dent-mfg.com

D-851 Spring Door Closer



FEATURES

- Smooth, silent closing action
- Prevents door from slamming
- Keeps door firmly closed and can re-close doors that pop open because of temperature-pressure build up
- Rugged, extra heavy gauge Steel construction
- Complete assembly includes fasteners and metal cover

TRAPS, VENTILATORS & MISC.

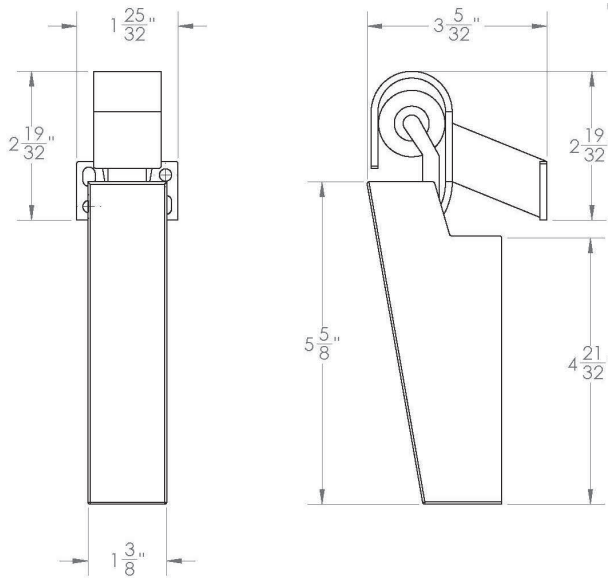
DENT
DESIGN HARDWARE

1-800-598-DENT
www.dent-mfg.com

Fax: 610-262-1870
sales@dent-mfg.com

D-851 Spring Door Closer

TRAPS, VENTILATORS & MISC.



SPECIFICATIONS

Overall Length: Approximately 8"

Material: Chrome plated steel

Finish: Chrome

Offsets: Flush and Offset

Screw Holes: #8-32

Shipping Weight: 2 lbs.

DENT
DESIGN HARDWARE

1-800-598-DENT
www.dent-mfg.com

Fax: 610-262-1870
sales@dent-mfg.com

D-852 Spring Door Closer



FEATURES

- Kason 1095 hole compatible
- Insures door closure
- Keeps door firmly closed and can re-close doors that pop open because of temperature-pressure build up
- Rugged, extra heavy gauge Steel construction
- Flush and offset mountings available

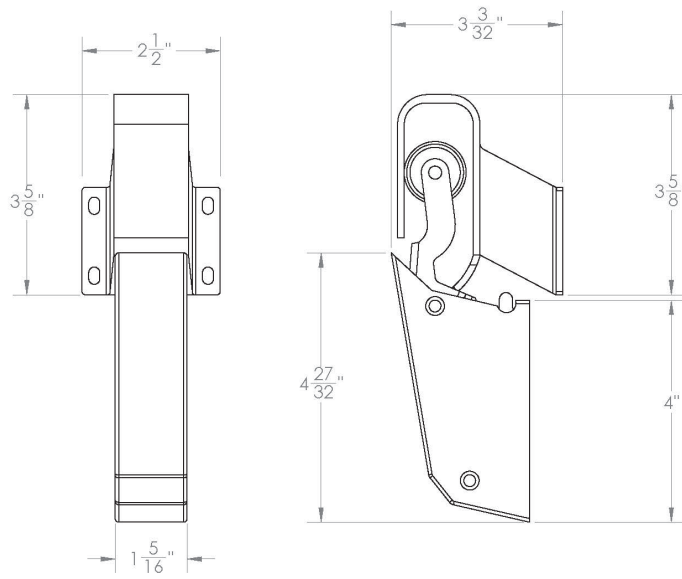
DENT
DESIGN HARDWARE

1-800-598-DENT
www.dent-mfg.com

Fax: 610-262-1870
sales@dent-mfg.com

D-852 Spring Door Closer

TRAPS, VENTILATORS & MISC.



SPECIFICATIONS

Overall Length: Approximately 8"

Material: Chrome plated steel

Finish: Chrome

Offsets: Flush and Offset

Screw Holes: #8-32

Shipping Weight: 2 lbs.

DENT
DESIGN HARDWARE

1-800-598-DENT
www.dent-mfg.com

Fax: 610-262-1870
sales@dent-mfg.com

D-897 Super Heavy Duty Spring Door Closer



FEATURES

- 100% Stainless Steel construction
- Cast components are super-high grade 316 stainless as per pharmaceutical specifications, impervious to even the most caustic cleaning agents and superior to even 304 grade stainless.
- Main internal spring is also Stainless, 17-7 grade for elongation
- Fasteners, barrel tube and small secondary springs, 18-8 stainless.
- Hole compatible to competition - good for field replacements as needed due to inclimate and rust-prone environments.

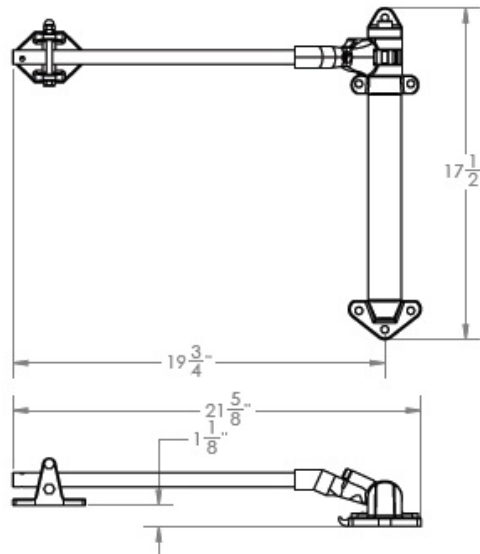
TRAPS, VENTILATORS & MISC.

DENT
DESIGN HARDWARE

1-800-598-DENT
www.dent-mfg.com

Fax: 610-262-1870
sales@dent-mfg.com

D-897 Super Heavy Duty Spring Door Closer



SPECIFICATIONS

Overall Length: 18"

Overall Width: 22", Jamb Mount Width, 4"

Material: 100% Stainless Steel

Finishes: Cast, Brushed, Satin and Mirror Polish

Offsets: Standard configuration works with Flush to 1-1/2" Offset

Screw Holes: 3/8" Diameter for Lag Bolts

Shipping Weight: Stainless Steel 15 lbs / each

HINGE SELECTOR CHART

Instructions on reading the chart:

Start with door weight (far left side of chart).

Find door width, in inches, at the bottom of the chart.

Cross column and row -- this provides a recommended category of hinge (pair) that will support the door.

		INCHES																					
		24	27	30	33	36	39	42	45	48	51	54	57	60	63	66	69	72					
POUNDS	500	W-3	W-3	W-4	W-4	W-4	W-4	W-5	W-5	W-5	W-5	W-5	W-5	W-5	W-6	W-6	W-6	W-6					
	480	W-1	W-2	W-3	W-3	W-4	W-4	W-4	W-5	W-5	W-5	W-5	W-5	W-5	W-6	W-6	W-6	W-6					
460	W-1	W-2	W-3	W-3	W-4	W-4	W-4	W-5	W-5	W-5	W-5	W-5	W-5	W-6	W-6	W-6	W-6						
440	W-1	W-1	W-2	W-3	W-3	W-4	W-4	W-4	W-5	W-5	W-5	W-5	W-5	W-6	W-6	W-6	W-6						
420	W-1	W-1	W-2	W-3	W-3	W-4	W-4	W-4	W-5	W-5	W-5	W-5	W-5	W-6	W-6	W-6	W-6						
400	W-1	W-1	W-2	W-3	W-3	W-4	W-4	W-4	W-5	W-5	W-5	W-5	W-5	W-6	W-6	W-6	W-6						
380	W-1	W-1	W-2	W-3	W-3	W-4	W-4	W-4	W-5	W-5	W-5	W-5	W-5	W-6	W-6	W-6	W-6						
360	W-1	W-1	W-2	W-3	W-3	W-4	W-4	W-4	W-5	W-5	W-5	W-5	W-5	W-6	W-6	W-6	W-6						
340	W-1	W-1	W-2	W-3	W-3	W-4	W-4	W-4	W-5	W-5	W-5	W-5	W-5	W-6	W-6	W-6	W-6						
320	R-3	W-1	W-1	W-2	W-2	W-3	W-3	W-3	W-4	W-4	W-4	W-4	W-4	W-5	W-5	W-5	W-5						
300	R-3	W-1	W-1	W-2	W-2	W-3	W-3	W-3	W-4	W-4	W-4	W-4	W-4	W-5	W-5	W-5	W-5						
280	R-3	W-1	W-1	W-2	W-2	W-3	W-3	W-3	W-4	W-4	W-4	W-4	W-4	W-5	W-5	W-5	W-5						
260	R-3	R-3	W-1	W-1	W-2	W-2	W-3	W-3	W-3	W-3	W-3	W-3	W-3	W-4	W-4	W-4	W-4						
240	R-3	R-3	W-1	W-1	W-2	W-2	W-3	W-3	W-3	W-3	W-3	W-3	W-3	W-4	W-4	W-4	W-4						
220	R-3	R-3	W-1	W-1	W-2	W-2	W-3	W-3	W-3	W-3	W-3	W-3	W-3	W-4	W-4	W-4	W-4						
200	R-2	R-3	R-3	W-1	W-1	W-2	W-2	W-2	W-2	W-2	W-2	W-2	W-2	W-3	W-3	W-3	W-3						
180	R-2	R-3	R-3	W-1	W-1	W-2	W-2	W-2	W-2	W-2	W-2	W-2	W-2	W-3	W-3	W-3	W-3						
160	R-2	R-3	R-3	W-1	W-1	W-2	W-2	W-2	W-2	W-2	W-2	W-2	W-2	W-3	W-3	W-3	W-3						
140	R-2	R-3	R-3	W-1	W-1	W-2	W-2	W-2	W-2	W-2	W-2	W-2	W-2	W-3	W-3	W-3	W-3						
120	R-2	R-2	R-3	R-3	W-1	W-1	W-1	W-1	W-1	W-1	W-1	W-1	W-1	W-2	W-2	W-2	W-2						
100	R-1	R-2	R-2	R-3	R-3	R-3	R-3	W-1	W-1	W-1	W-1	W-1	W-1	W-1	W-1	W-1	W-1						
80	R-1	R-2	R-2	R-2	R-2	R-2	R-2	R-2	R-3	R-3	R-3	R-3	R-3	R-3	R-3	R-3	R-3						
60	R-1	R-1	R-1	R-2	R-2	R-2	R-2	R-2	R-2	R-2	R-2	R-2	R-2	R-2	R-2	R-2	R-2						
40	R-1	R-1	R-1	R-1	R-1	R-1	R-1	R-1	R-1	R-1	R-1	R-1	R-1	R-1	R-1	R-1	R-1						
20	R-1	R-1	R-1	R-1	R-1	R-1	R-1	R-1	R-1	R-1	R-1	R-1	R-1	R-1	R-1	R-1	R-1						

Alternatively, multiply door weight (in pounds) by Door Width (in inches) and find recommended hinges on chart below

Min	Max	Competitor Category
240	1380 R-1	A
1440	2400 R-2	B
2520	3960 R-3	C
4080	7980 W-1	D
8100	9900 W-2	E
10080	13800 W-3	F
13680	19800 W-4	G
20160	30000 W-5	H
30240	36000 W-6	J

Typically a Reach In Door
 Typically a Reach In Door
 Typically a Reach In Door
 Typically a Walk In Door
 Typically a Walk In Door
 Typically a Walk In Door
 Oversize Walk-in or special
 Oversize Walk-in or special
 Oversize Walk-in or special

D-4 series, D-34
 D-61 series, D-69 series, D-690 series, D-88
 D-2 series, D-45
 D-21, D-69B
 D-1-P, D-31, D-38, D-310
 D-310 Stainless Steel, D-38 Stainless Steel
 D-980